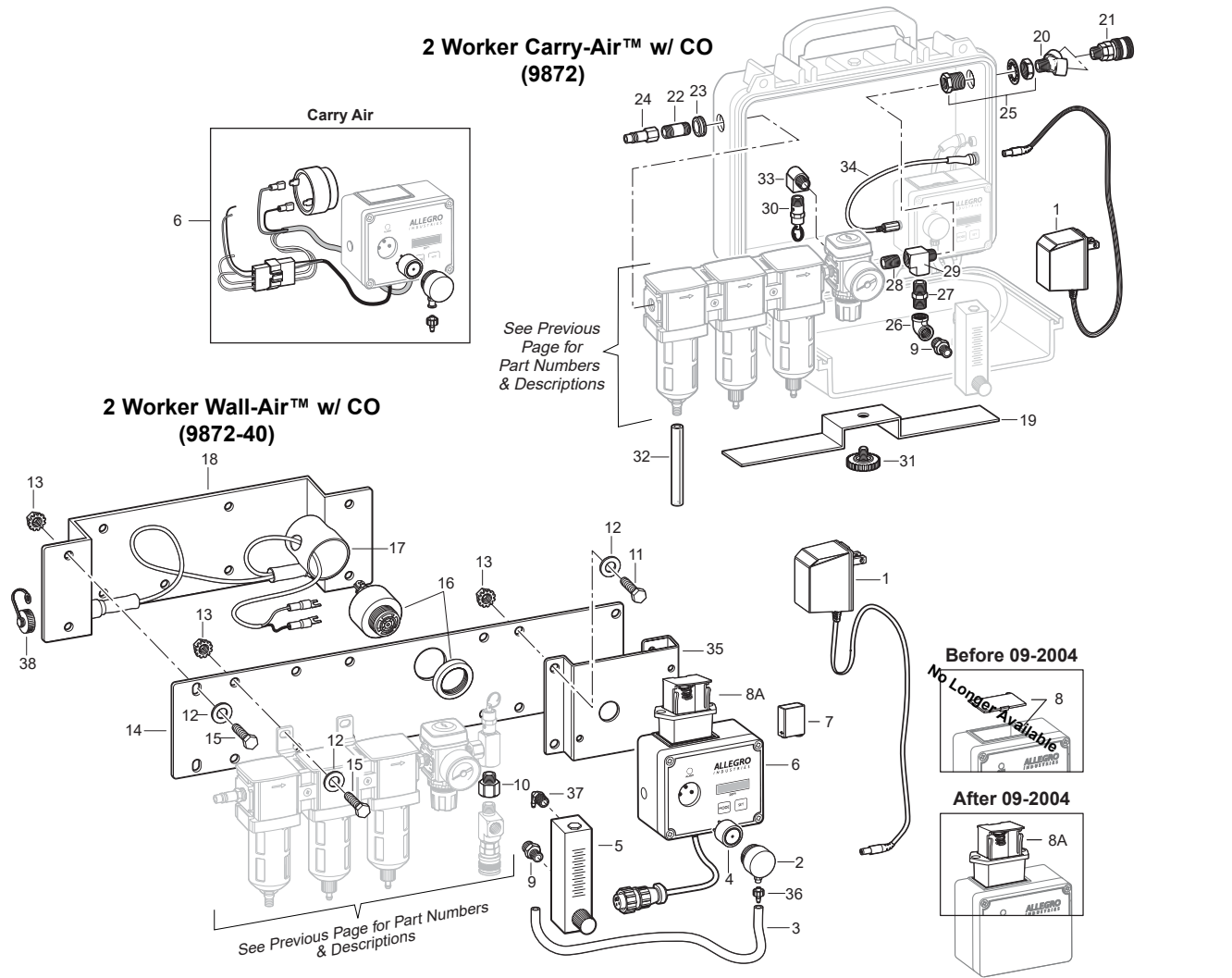




PRODUCT: BREATHING AIR FILTRATION PANELS (2 WORKERS)
PART NUMBER: 9872 (CARRY-AIR™ W/ CO MONITOR)
9872-40 (WALL-AIR™ W/ CO MONITOR)



KEY	PART #	DESCRIPTION	KEY	PART #	DESCRIPTION	KEY	PART #	DESCRIPTION
	9872	2 Worker Carry-Air™ w/ CO			after 09-2004)	27	9000-25	Hex Nipple
	9872-40	2 Worker Wall-Air™ w/ CO	9	9872-28	Adapter	28	9872-29	Close Nipple
1	9872-95	AC to DC Power Supply	10	9875-25	Adapter	29	9872-27	Street Elbow
2	9872-92	CO Sensor Cover	11	9800-74	Tap Bolt	30	9875-09	Relief Valve
2a	9872-14C	White Female Plastic Luer (single replacement piece only)	12	9800-62	Flat Washer	31	9872-30A	Support Stand Retainer Screw
3	9872-14	Poly Flow Tubing	13	9500-67	K-Nut	32	9872-13	Poly Flow Tubing
4	9872-69	CO Sensor	14	9865-06C	Filter Panel Plate	33	9872-18	Adapter
	9872-69R	Sensor CO Monitor w/Roto Switch	15	9500-79	Tap Bolt	34	9872-88	DC Cable Extension
5	9872-25	Flow Meter	16	9871-01D	Piezo Alarm	35	9865-17	Monitor Bracket (Wall-Air™)
6	9872-02B	CO Monitor for Wall-Air™ (Includes 1, 2, 4, 6-8)	17	9871-01N	Alarm Cover	36	9872-14B	Male Luer
	9872-02BC	CO Monitor for Carry-Air™ (Includes 1, 2, 4, 6-8)	18	9865-05C	Panel Mount Bracket Assembly	37	9872-17	Elbow
7	9871-01F	Battery	19	9872-30	Support Stand	38	9872-85	Receptacle Cap
8	9872-91	Battery Compartment Cover (not sold separately) NO LONGER AVAIL.	20	9872-10	Y-Connector			Parts and Accessories
	9872-91A	Battery Compartment (Purchased before 09-2004) NO LONGER AVAIL.	21		Coupler (See Coupler Page)	9872-60		CO Monitor Calibration Kit (Includes 2 Gases: 1 Regulator, 1 Tubing)
8a	9872-91B	Battery Compartment (Purchased	22	9872-20	Nipple	9872-61		Calibration Span Gas, 17 Liter Bottle
			23	9872-12	Grommet	9872-62		Calibration Zero Gas, 17 Liter Bottle
			24	8400-04	Plug			
			25	9872-11	Bulkhead			
			26	9872-26	Union Elbow, Female			