



# TITAN®

## SERVICE MANUAL

# HYDRA X™ 4540 7230

- EN -	SERVICE MANUAL	2
- F -	MANUEL D'ENTRETIEN	14
- ES -	MANUAL DE MANTENIMIENTO	26

AIRLESS, HIGH-PRESSURE SPRAYING UNIT  
GROUPE DE PROJECTION À HAUTE PRESSION  
AIRLESS EQUIPO DE ALTA PRESIÓN PARA  
PULVERIZAR

### Models\*:

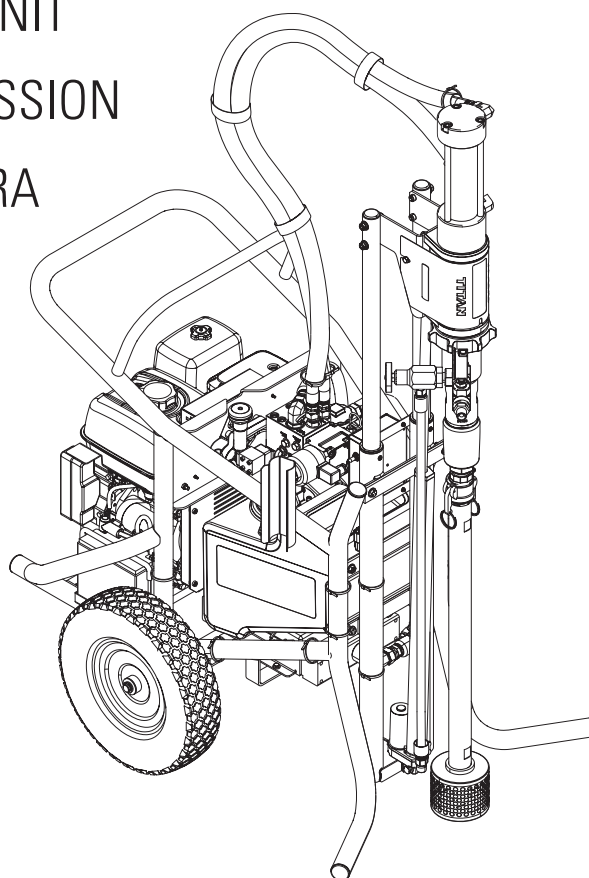
#### 49 STATE

2412275	4540 / 4500 PSI
2412277	7230 / 7250 PSI
2424560	4540 / 4500 PSI / 250' COMPLETE
2424561	7230 / 7250 PSI / 250' COMPLETE

#### 50 STATE

2412275X	4540 / 4500 PSI
2412277X	7230 / 7250 PSI
2424560X	4540 / 4500 PSI / 250' COMPLETE
2424561X	7230 / 7250 PSI / 250' COMPLETE
2412275K	4540 / 4500 PSI
2412277K	7230 / 7250 PSI
2424560K	4540 / 4500 PSI / 250' COMPLETE
2424561K	7230 / 7250 PSI / 250' COMPLETE

- \* All 49-State models use Honda engine P/N 2434485.  
All 50-State models with "X" suffix use Honda engine P/N 980-340.  
All 50-State models with "K" suffix use Kohler engine P/N 2441285A.



### UNITED STATES SALES & SERVICE

**WEB:** [www.titantool.com](http://www.titantool.com)

**PHONE:** 1-800-526-5362

1770 Fernbrook Lane  
Minneapolis, MN 55447

# Warning!

**Attention: Danger of injury by injection!**  
**Airless units develop extremely high spraying pressures.**

**1**

**Never put your fingers, hands or any other parts of the body into the spray jet!**

**Never point the spray gun at yourself, other persons or animals.  
Never use the spray gun without safety guard.**

**Do not treat a spraying injury as a harmless cut. In case of injury to the skin through coating materials or solvents, consult a doctor immediately for quick and expert treatment. Inform the doctor about the coating material or solvent used.**

**2**

**The operating instructions state that the following points must always be observed before starting up:**

1. Faulty units must not be used.
2. Secure Titan spray gun using the trigger lock on the trigger.
3. Ensure that the unit is properly earthed.
4. Check allowable operating pressure of high-pressure hose and spray gun.
5. Check all connections for leaks.

**3**

**The instructions regarding regular cleaning and maintenance of the unit must be strictly observed.**

**Before any work is done on the unit or for every break in work the following rules must be observed:**

1. Release the pressure from spray gun and hose.
2. Secure the Titan spray gun using the trigger lock on the trigger.
3. Switch off unit.

# Be safety conscious!

<b>1</b>	<b>SAFETY REGULATIONS FOR AIRLESS SPRAYING</b>	<b>4</b>
1.1	Explanation of symbols used	4
1.2	Safety hazards	4
1.3	Setup on an uneven surface	6
1.4	Gasoline engine safety	7
1.5	Fueling (gas engine)	7
<b>2</b>	<b>SERVICING</b>	<b>8</b>
2.1	Servicing the hydraulic motor	8
2.2	Replacing the belt	11
2.3	Servicing the fluid section	12
	<b>ACCESSORIES AND SPARE PARTS</b>	<b>38</b>
	Spare parts list for the main assembly I	38/39
	Spare parts list for the main assembly II	40/41
	Spare parts list for the cart assembly	42/43
	Spare parts list for the hydraulic system	44/45
	Spare parts list for the motor / pump assembly	46/47
	Spare parts list for the fluid section	48/49
	Spare parts list for bleed valve assembly	50
	Spare parts list for telescoping lift assembly	51
	<b>CONNECTION DIAGRAM</b>	<b>52</b>
	<b>HYDRAULIC DIAGRAM</b>	<b>53</b>
	<b>ACCESSORIES FOR HYDRA X UNITS</b>	<b>54/55</b>
	<b>WARRANTY</b>	<b>56</b>

# 1 SAFETY REGULATIONS FOR AIRLESS SPRAYING

## 1.1 EXPLANATION OF SYMBOLS USED

This manual contains information that must be read and understood before using the equipment. When you come to an area that has one of the following symbols, pay particular attention and make certain to heed the safeguard.



→ This symbol indicates a potential hazard that may cause serious injury or loss of life. Important safety information will follow.



Attention

→ This symbol indicates a potential hazard to you or to the equipment. Important information that tells how to prevent damage to the equipment or how to avoid causes of minor injuries will follow.



→ Danger of skin injection



→ Danger of fire from solvent and paint fumes



→ Danger of explosion from solvent, paint fumes and incompatible materials



→ Danger of injury from inhalation of harmful vapors



→ Danger of injury from electric shock



→ Notes give important information which should be given special attention.



### → **WARNING! CALIFORNIA PROPOSITION 65 WARNING**

This product can expose you to chemicals including lead, which are known to the State of California to cause cancer, birth defects, or other reproductive harm.

The engine exhaust from models with gas-powered engines can expose you to carbon monoxide which is known to the State of California to cause cancer, birth defects, and other reproductive harm.

For more information go to [www.P65warnings.ca.gov](http://www.P65warnings.ca.gov).

## 1.2 SAFETY HAZARDS



IMPORTANT SAFETY INSTRUCTIONS.  
SAVE THESE INSTRUCTIONS.



### **WARNING: INJECTION INJURY**

A high pressure stream produced by this equipment can pierce the skin and underlying tissues, leading to serious injury and possible amputation.

Do not treat a spraying injury as a harmless cut. In case of injury to the skin through coating materials or solvents, consult a doctor immediately for quick and expert treatment. Inform the doctor about the coating material or solvent used.

### **PREVENTION:**

- NEVER aim the gun at any part of the body.
- NEVER allow any part of the body to touch the fluid stream. DO NOT allow body to touch a leak in the fluid hose.
- NEVER put your hand in front of the gun. Gloves will not provide protection against an injection injury.
- ALWAYS lock the gun trigger, shut the fluid pump off and release all pressure before servicing, cleaning the tip guard, changing tips, or leaving unattended. Pressure will not be released by turning off the engine. The PRIME/SPRAY valve or pressure bleed valve must be turned to their appropriate positions to relieve system pressure.
- ALWAYS keep tip guard in place while spraying. The tip guard provides some protection but is mainly a warning device.
- ALWAYS remove the spray tip before flushing or cleaning the system.
- NEVER use a spray gun without a working trigger lock and trigger guard in place.
- All accessories must be rated at or above the maximum operating pressure range of the sprayer. This includes spray tips, guns, extensions, and hose.



### WARNING: HIGH PRESSURE HOSE

The paint hose can develop leaks from wear, kinking and abuse. A leak can inject material into the skin. Inspect the hose before each use.

#### PREVENTION:

- Avoid sharp bending or kinking of the high-pressure hose. The smallest bending radius amounts to about 20 cm.
- Do not drive over the high-pressure hose. Protect against sharp objects and edges.
- Replace any damaged high-pressure hose immediately.
- Never repair damaged high-pressure hoses yourself!
- Electrostatic charging of spray guns and the high-pressure hose is discharged through the high-pressure hose. For this reason the electric resistance between the connections of the high-pressure hose must be equal to or lower than 1MΩ.
- For reasons of function, safety and durability use only original Titan high-pressure hoses.
- Before each use, check all hoses for cuts, leaks, abrasion or bulging of cover. Check for damage or movement of couplings. Immediately replace the hose if any of these conditions exist. Never repair a paint hose. Replace it with another earthed high-pressure hose.
- Make sure power cord, air hose and spray hoses are routed in such a manner to minimize slip, trip and fall hazard.
- Do not expose the hose to temperatures or pressures in excess of those specified by the manufacturer.
- Do not use the hose as a strength member to pull or lift the equipment.



### WARNING: EXPLOSION OR FIRE

Flammable vapors, such as solvent and paint vapors, in work area can ignite or explode.



#### PREVENTION:

- Use equipment only in well ventilated area. Keep a good supply of fresh air moving through the area to keep the air within the spray area free from accumulation of flammable vapors. Keep pump assembly in well ventilated area. Do not spray pump assembly.
- Gas models only - Do not fill fuel tank while engine is running or hot; shut off engine and allow to cool. Fuel is flammable and can ignite or explode if spilled on a hot surface.
- Eliminate all ignition sources, such as pilot lights, cigarettes, portable electric lamps and plastic drop cloths (potential static arc).
- Keep work area free of debris, including solvent, rags and gasoline.
- Do not plug or unplug power cords, or turn power or light switches on or off when flammable vapors are present.
- Ground equipment and conductive objects in work area. Make sure the grounding cable (not equipped) is connected from the grounding lug to a true earth ground.
- Use only grounded hoses.
- Hold spray gun firmly to the side of a grounded pail when triggering into pail.
- If there is static sparking or if you feel a shock, stop operation immediately.
- Know the contents of the paint and solvents being sprayed. Read all material Safety Data Sheets (SDS) and container labels provided with the paints and solvents. Follow the paint and solvent manufacturer's safety instructions.
- Do not use a paint or solvent containing halogenated hydrocarbons. Such as chlorine, bleach, mildewcide, methylene chloride and trichloroethane. They are not compatible with aluminum. Contact the coating supplier about compatibility of material with aluminum.
- Keep a fire extinguisher in work area.

**WARNING: HAZARDOUS VAPORS**

Paints, solvents, and other materials can be harmful if inhaled or come in contact with body. Vapors can cause severe nausea, fainting, or poisoning.

**PREVENTION:**

- Wear respiratory protection when spraying. Read all instructions supplied with the mask to be sure it will provide the necessary protection.
- All local regulations regarding protection against hazardous vapors must be observed.
- Wear protective eyewear.
- Protective clothing, gloves and possibly skin protection cream are necessary for the protection of the skin. Observe the regulations of the manufacturer concerning coating materials, solvents and cleaning agents in preparation, processing and cleaning units.

**WARNING: GENERAL**

This product can cause severe injury or property damage.

**PREVENTION:**

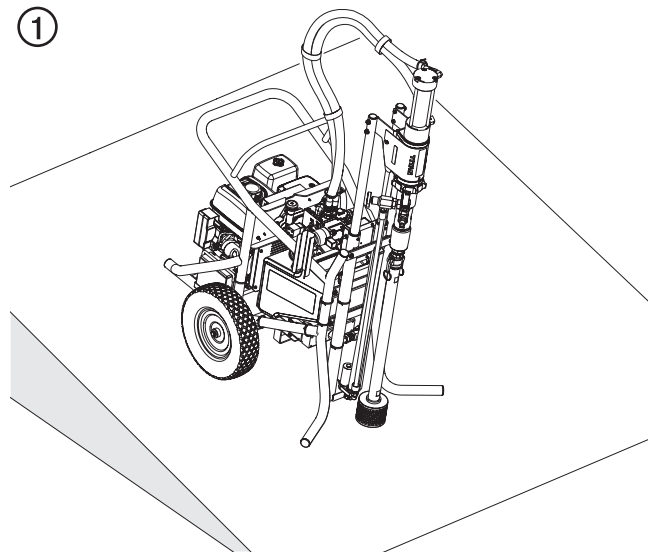
- Follow all appropriate local, state, and national codes governing ventilation, fire prevention, and operation.
- Pulling the trigger causes a recoil force to the hand that is holding the spray gun. The recoil force of the spray gun is particularly powerful when the tip has been removed and high pressure has been set on the airless pump. When cleaning without a spray tip, set the pressure control knob to the lowest pressure.
- Use only manufacturer authorized parts. User assumes all risks and liabilities when using parts that do not meet the minimum specifications and safety devices of the pump manufacturer.
- ALWAYS follow the material manufacturer's instructions for safe handling of paint and solvents.
- Clean up all material and solvent spills immediately to prevent slip hazard.
- Wear ear protection. This unit can produce noise levels above 85 dB(A).
- Never leave this equipment unattended. Keep away from children or anyone not familiar with the operation of airless equipment.
- Do not spray on windy days.

- The device and all related liquids (i.e. hydraulic oil) must be disposed of in an environmentally friendly way.
- Stay alert and watch what you are doing.
- Do not operate the unit when fatigued or under the influence of drugs or alcohol.
- Do not overreach or stand on an unstable support. Keep effective footing and balance at all times.

**1.3 SETUP ON AN UNEVEN SURFACE**

The front end must always point downwards in order to avoid sliding away (fig. 1).

If possible do not use the unit on an inclined surface since the unit tends to wander due to the resulting vibrations.



## 1.4 GASOLINE ENGINE SAFETY

1. Gas engines are designed to give safe and dependable service if operated according to instructions. Read and understand the engine manufacturer's Owner's Manual before operating the engine. Failure to do so could result in personal injury or equipment damage.
2. To prevent fire hazards and to provide adequate ventilation, keep the engine at least 1 meter (3 feet) away from buildings and other equipment during operation. Do not place flammable objects close to the engine.
3. People who are not operating the device must stay away from the area of operation due to a possibility of burns from hot engine components or injury from any equipment the engine may be used to operate.
4. Know how to stop the engine quickly, and understand the operation of all controls. Never permit anyone to operate the engine without proper instructions.
5. Gasoline is extremely flammable and is explosive under certain conditions.
6. Refuel in a well-ventilated area with the engine stopped. Do not smoke or allow flames or sparks in the refueling area or where gasoline is stored.
7. Do not overfill the fuel tank. After refueling, make sure the tank cap is closed properly and securely.
8. Be careful not to spill fuel when refueling. Fuel vapor or spilled fuel may ignite. If any fuel is spilled, make sure the area is dry before starting the engine.
9. Never run the engine in an enclosed or confined area. Exhaust contains poisonous carbon monoxide gas; exposure may cause loss of consciousness and may lead to death.
10. The muffler becomes very hot during operation and remains hot for a while after stopping the engine. Be careful not to touch the muffler while it is hot. To avoid severe burns or fire hazards, let the engine cool before transporting it or storing it indoors.
11. Never ship/transport sprayer with gasoline in the tank.

## 1.5 FUELING (GAS ENGINE)



Gasoline is extremely flammable and is explosive under certain conditions.

### FUEL SPECIFICATIONS

Use automotive gasoline that has a pump octane number of 86 or higher, or that has a research octane number of 91 or higher. Use of a lower octane gasoline can cause persistent "pinging" or heavy "spark knock" (a metallic rapping noise) which, if severe, can lead to engine damage.



If "spark knock" or "pinging" occurs at a steady engine speed under normal load, change brands of gasoline. If spark knock or pinging persists, consult an authorized dealer of the engine manufacturer. Failure to do so is considered misuse, and damage caused by misuse is not covered by the engine manufacturer's limited warranty.

Occasionally you may experience light spark knock while operating under heavy loads. This is no cause for concern, it simply means your engine is operating efficiently.

- Unleaded fuel produces fewer engine and spark plug deposits and extends the life of the exhaust system components.
- Never use stale or contaminated gasoline or an oil/gasoline mixture. Avoid getting dirt, dust, or water in the fuel tank.

### GASOLINES CONTAINING ALCOHOL

If you decide to use a gasoline containing alcohol (gasohol), be sure its octane rating is at least as high as that recommended by the engine manufacturer. There are two types of "gasohol": one containing ethanol, and the other containing methanol. Do not use gasohol that contains more than 10% ethanol. Do not use gasoline containing methanol (methyl or wood alcohol) that does not also contain co-solvents and corrosion inhibitors for methanol. Never use gasoline containing more than 5% methanol, even if it has co-solvents and corrosion inhibitors.





Fuel system damage or engine performance problems resulting from the use of fuels that contain alcohol is not covered under the warranty. The engine manufacturer cannot endorse the use of fuels containing methanol since evidence of their suitability is incomplete at this time.

Before buying gasoline from an unfamiliar station, try to find out if the gasoline contains alcohol. If it does, confirm the type and percentage of alcohol used. If you notice any undesirable operating characteristics while using a gasoline that contains alcohol, or one that you think contains alcohol, switch to a gasoline that you know does not contain alcohol.




## 2 SERVICING

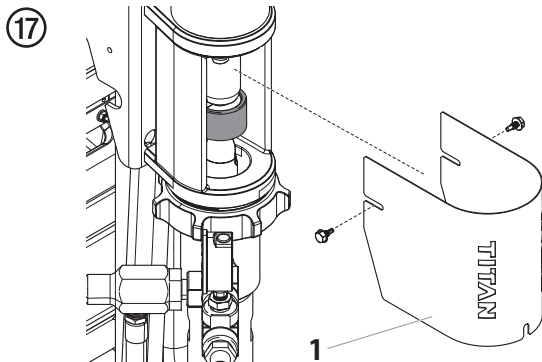
### 2.1 SERVICING THE HYDRAULIC MOTOR

 <p><b>Attention</b></p>	<p>Servicing of the hydraulic motor should be carried out in a clean, dust free area only. Any dust or metallic particles left in the motor or entering it on reassembly may damage the critical parts and affect its service life and warranty. All parts should be inspected for absolute cleanliness.</p>
	<p>In order to service the hydraulic motor, it is recommended that the piston be set in the middle of its stroke. Follow one of the two sets of instructions below.</p>

#### USE THE PULL START ON THE ENGINE

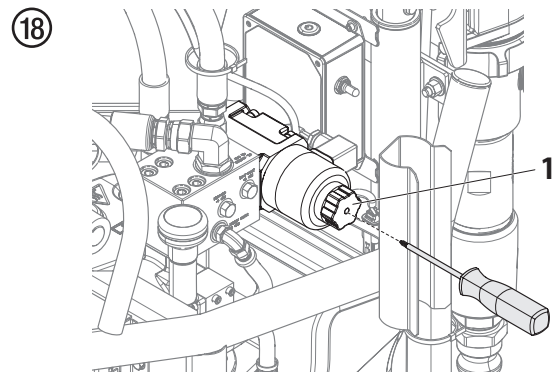
	<p>Gently pulling the starter rope on the engine will move the piston upwards. If the piston is below the middle of the stroke, follow these steps.</p>
---	---

1. Remove the cover (fig. 17, item 1) to expose the piston.
2. Turn the pressure control knob all the way counterclockwise to the lowest setting. Then turn the pressure control knob clockwise 2 turns.
3. Pull the starter rope on the motor until the piston is set in the middle of its stroke.



#### USE THE SOLENOID BUTTON

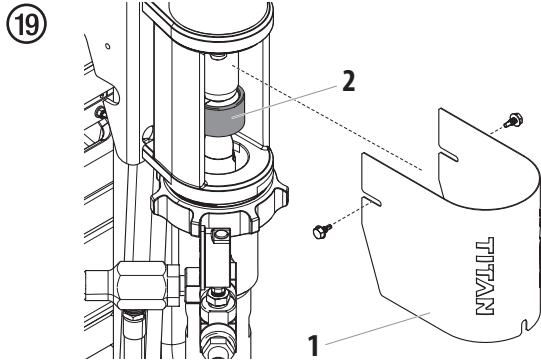
1. Remove the cover (fig. 17, item 1) to expose the piston.
2. Submerge the fluid section and return tube into a bucket of water.
3. Turn the pressure control knob all the way counterclockwise to the lowest setting.
4. Open the bleed valve by turning it fully counterclockwise.
5. Start the engine. Slide the throttle lever to a lower setting.
6. Using a torx or small Phillips screwdriver, insert the end of the screwdriver and fully push and hold the solenoid button (Fig. 18, item 1). This will cause the piston to automatically slide to a lower position.
7. Slightly let up on the button until the piston moves to the center position. When it moves to the center position, immediately shut off the engine.



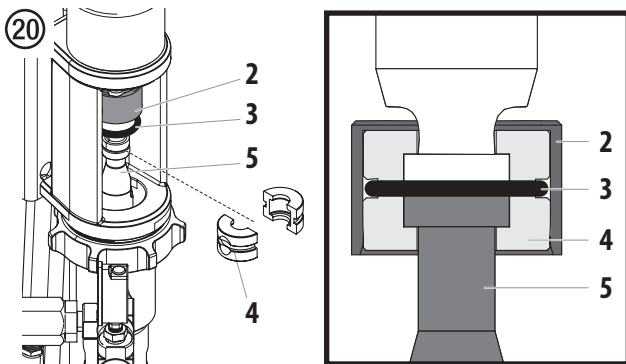


**DISASSEMBLING THE HYDRAULIC MOTOR**

1. Remove the cover screws and remove the cover (fig. 19, item 1). The coupler sleeve (2) should now be exposed.



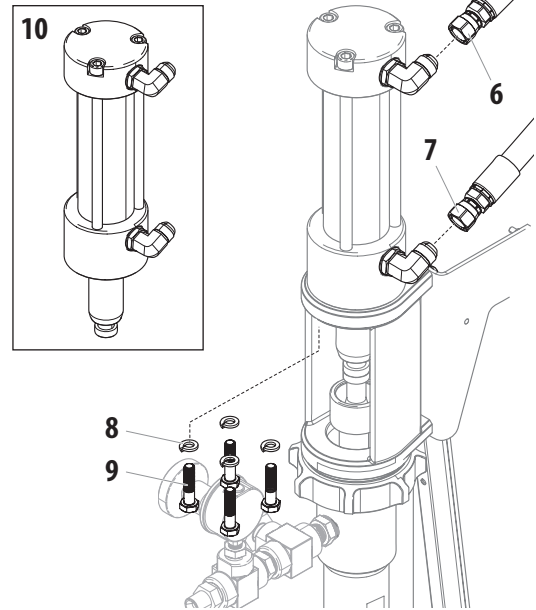
2. Push the coupler sleeve upwards. The O-ring underneath it will give some resistance. Push the coupler sleeve (2) upwards to expose the O-ring.
3. Slide the O-ring (fig. 20, item 3) upwards so that it is clear of the two coupling halves (4). Remove the two coupling halves (4).
4. Once the coupling halves (4) are removed, Slide the coupler sleeve (2) and O-ring (3) back down over the fluid section piston (5).



The hydraulic hoses will be removed in the next step. Make sure to have plugs or a cleaning rag on hand in order to minimize hydraulic fluid leakage that will occur when the hoses are removed.

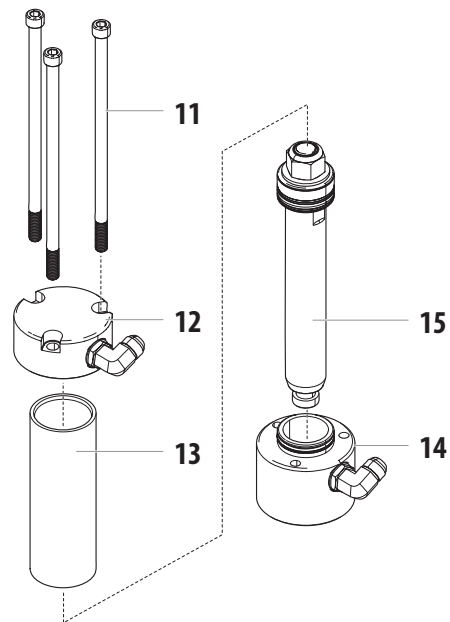
5. Remove the hydraulic hoses (fig. 21, item 6-7) from the elbow fittings.
6. Remove the four screws (8) and washers (9) from the bottom of the hydraulic motor. Remove the entire hydraulic motor (10) from the fluid section.

21



7. Using a hex wrench, remove the three long bolts (fig. 22, item 11) from the top of the hydraulic motor.
8. Twist the the cylinder cap (12) from the cylinder (13). Pull the cylinder off the rod seal block (14).
9. Pull the piston assembly (15) out of the rod seal block (14).

22

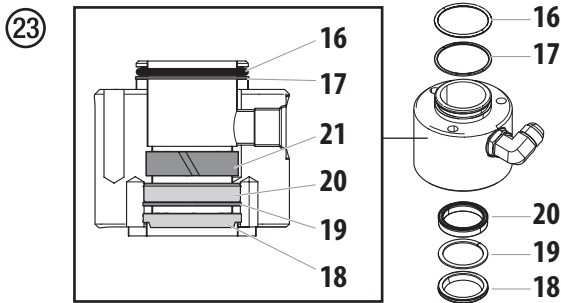


- From the top of the rod seal block, remove the O-ring (fig. 23, item 16) and backup ring (17). From the interior of the block, remove the wiper (18), backup ring (19), and rod seal (20). Inspect wear ring (21, still located inside the block). Unless there is obvious damage the wear ring (21) does not need to be replaced.



Remove these parts very carefully. Do not scratch any metal surface of the rod seal block.

- Replace all parts with new parts (16-20) from the repair kit.

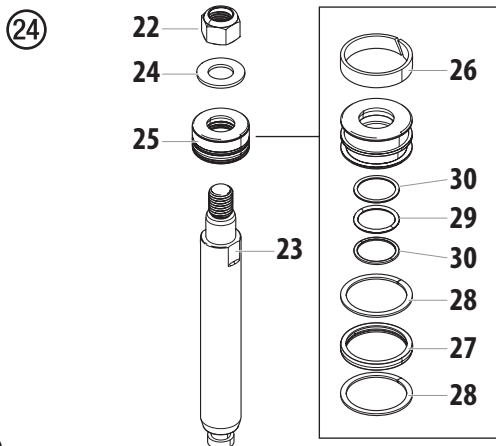


- Clamp the piston nut (fig. 24, item 22) in a bench vise. Using a wrench on the flats (23) of the piston, remove the piston nut (22).
- Remove the washer (24) and piston head assembly (25).
- From the outside of the piston head assembly (25), remove the wear ring (26), piston seal (27) and back up rings (28).
- From the interior of the piston head assembly (25), remove the O-ring (29) and back up rings (30).



Remove these parts very carefully. Do not scratch any metal surface of the piston head.

- Replace all parts with new parts (22 and 26-30) from the repair kit.



### REASSEMBLING THE HYDRAULIC MOTOR

- Reinstall the piston head assembly (25) and washer (24) onto the piston.
- Clamp the piston nut (22) into a bench vise.



The piston nut is single use (22). Be careful not to damage it in the vise.

- With a wrench on the flats of the piston (23), thread the piston into the nut. Torque to 800 ft.-lbs.
- Install the cylinder (fig. 22, item 13) back onto the rod seal block (14). Gently tap into place with a rubber mallet until flush. Coat the inside of the cylinder with hydraulic oil.
- Install the piston assembly (15) into the cylinder and down into the rod seal block. Turn upside down so that the piston assembly rests on a hard surface. Using a rubber mallet, gently tap on the rod seal block until the piston is seated inside the cylinder and rod seal block.
- Install the cylinder cap (12) onto the cylinder (13). Gently tap into place using a rubber mallet until flush with the cylinder.
- Reinstall the three long bolts (11) through the cylinder cap (12) and down to the rod seal block (14). Torque the bolts to 85 ft.-lbs.
- Replace the hydraulic motor assembly (fig. 21, item 10) back into position over the fluid section. Secure with the four bolts (9) and washers (8). Torque to 45 ft.-lbs.
- Reattach the hydraulic hoses (6, 7) onto the elbow fittings on the hydraulic motor. Make sure each hose is attached to its proper fitting.
- Slide the coupler sleeve (fig. 20, item 2) and O-ring (3) back up over the hydraulic motor piston. Make sure the coupler sleeve (2) is fully seated before proceeding.
- Secure the fluid section piston and the hydraulic motor piston by reinstalling the two coupling halves (4). Slide the O-ring (3) down over the coupling halves, (4), followed by the coupling sleeve (2).
- Replace the cover and secure with the screws.



Once this repair is complete, start the engine. Allow the unit to run for a few minutes and then shut it down. Immediately check the hydraulic oil level and top off if needed.

## 2.2 REPLACING THE BELT



Before replacing the belt on your unit, make sure you have performed the "Pressure Relief Procedure" as illustrated in the Operation section of this manual. DO NOT attempt this repair while the unit is running.

**PINCH HAZARD.** Make sure your fingers remain clear of the contact area between the belt and pulley.

**BURN HAZARD.** Make sure the gas engine has had time to sufficiently cool before touching it.

It is recommended that this procedure be done by two people.

### REMOVAL

1. Remove the eight screws (fig. 29, item 1) that secure the belt guard (2) to the cart frame. Remove the guard.
2. Loosen but do not remove the four hex nuts/bolts (3) that secure the engine to the engine plate.
3. With the nuts/bolts loosened, carefully tilt the engine backwards to remove the tension in the belt (4).
4. While the belt is loose, it can now be removed by the second person.

### REINSTALLATION

1. While the belt is removed, slide the engine to the right (as looking at it from the rear of the sprayer) as far as it will go.
2. Loop the the new belt over the upper pulley until the belt engages the pulley cogs. Allow the belt to hang from the top pulley. With your hand, hold the belt in place in approximately the 3:00 position on the lower pulley groove.
3. Use your other hand to manually turn the upper pulley clockwise. Allow the hand holding the belt on the lower pulley to follow the motion. The motion of the pulley and the placement of your hand over the belt on the lower pulley will allow the the belt to slide into place on the lower pulley.

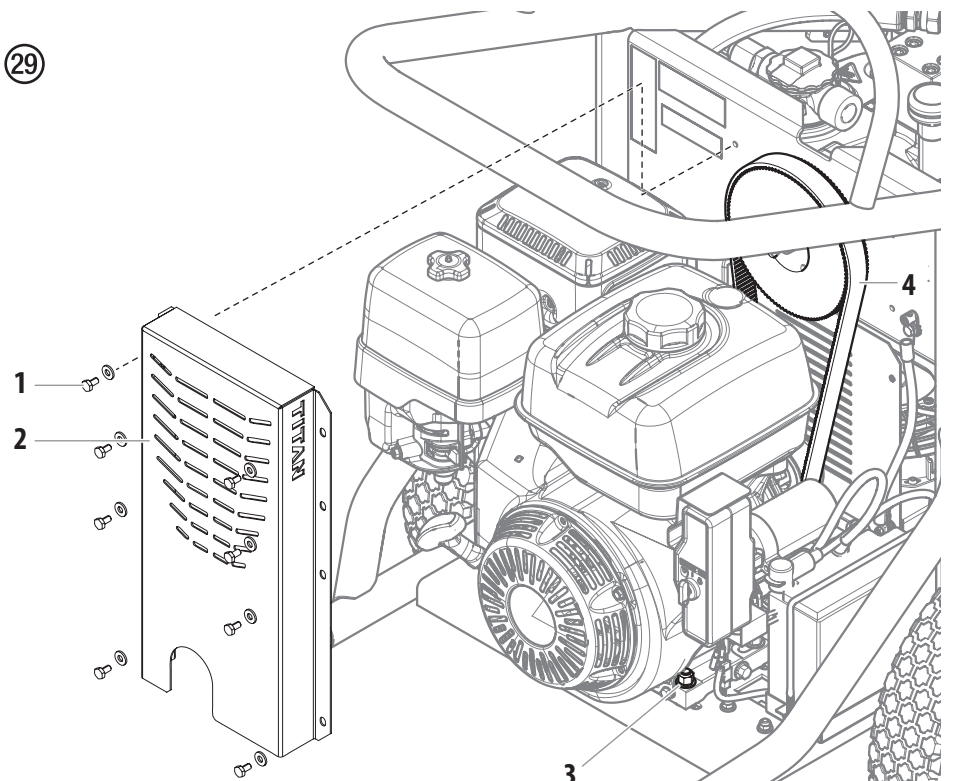


**Attention**

Make sure the belt is not pinched or twisted in any way.

4. Carefully slide the engine to the left (as looking at it from the rear of the sprayer) as far as the belt tension will allow it to go.
5. Tighten the nuts/bolts (3) that secure the engine to the engine plate. Torque to 245-255 in.-lbs.
6. Replace the belt guard (2) and secure with the six screws (1). Torque screws to 165-175 in.-lbs.

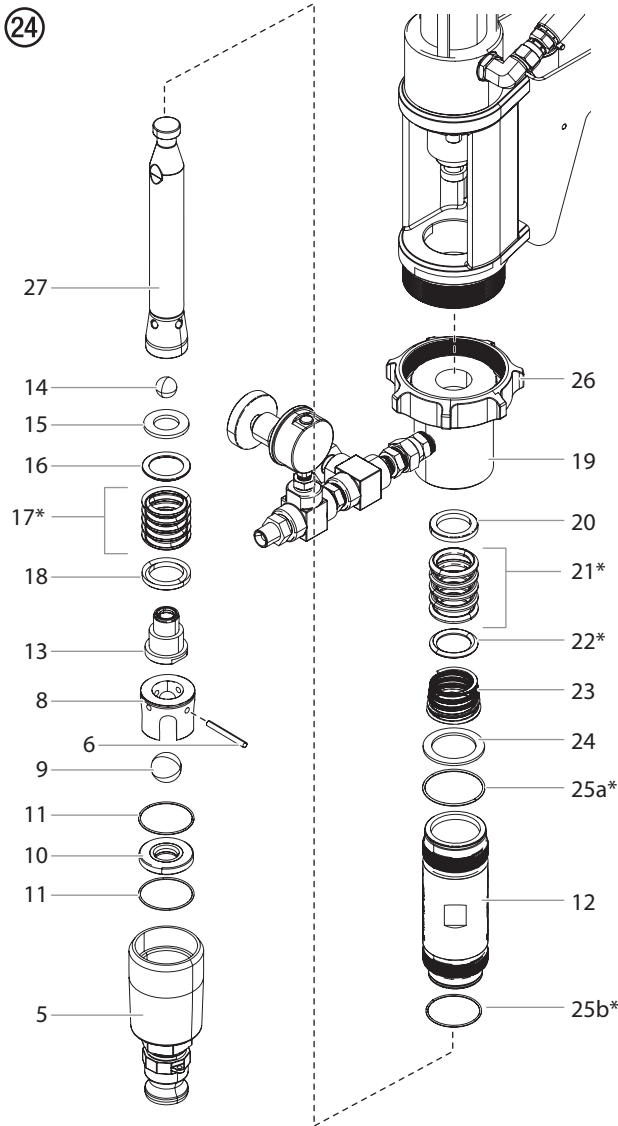
29



### 2.3 SERVICING THE FLUID SECTION



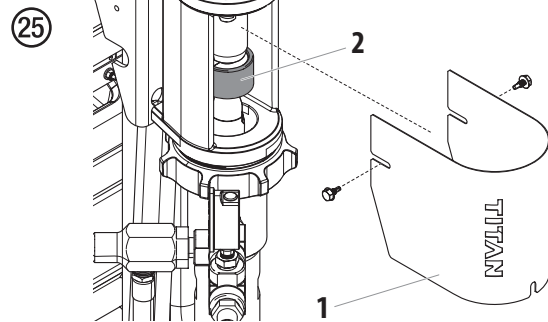
The performance of a 4540 can be converted to a 7230 (and vice versa) by purchasing a conversion assembly (see bottom of parts chart, page 49).



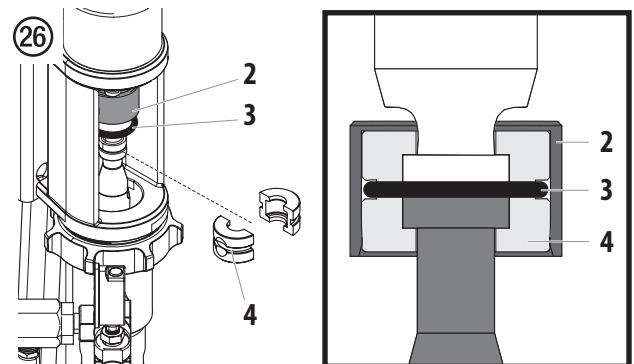
Use of non-Titan service parts may void warranty. Ask for original parts made by Titan for best services. This pump should receive a routine servicing after approximately 1,000 hours of use. Earlier servicing is required if there is excessive leakage from the top packing or if pump strokes become faster on one stroke or the other. The use of Titan Piston Lube (P/N 314-480) is recommended as an upper packing lubricant. Do not substitute oil, water, or solvent for an upper packing lubricant.

### DISASSEMBLY PROCEDURE

1. Test pump before disassembly. Follow test procedure in Troubleshooting Guide - Fluid Section in the Operation manual to assist in determining the cause and solution to various problems.
2. Remove siphon tube assembly.
3. Remove the cover screws and remove the cover (fig. 25, item 1). The coupler sleeve (2) should now be exposed.



4. Push the coupler sleeve upwards. The O-ring underneath it will give some resistance. Push the coupler sleeve upwards to expose the O-ring.
5. Slide the O-ring (fig. 26, item 3) upwards so that it is clear of the two coupling halves (4). Remove the two coupling halves (4).




6. Fully loosen the locking nut (fig. 24, item 26) and pull the entire fluid section assembly from the hydraulic motor.
7. For easier disassembly, unthread and remove foot valve (5).
8. Remove the ball cage (8), ball (9), ball seat (10) and PTFE O-ring (11) from the foot valve (5). Remove the ball pin (6) from the ball cage (8).
9. Push the displacement rod (27) down as far as possible. Pull it out the bottom of the cylinder (12).
10. Secure the flats of the displacement rod (27) in a vise. Using a wrench, loosen and remove the outlet valve housing (13).
11. Remove the ball (14), retainer (15), and the lower packing set (16-18).
12. Place the fluid section adapter upside down (19) in a vise. Using a wrench on the flats of the cylinder (12), unthread the cylinder from the fluid section adapter.
13. Remove the upper packing set (20-22), upper spring (23), and spring retainer (24) from the fluid section adapter.
14. Remove the O-rings (25a/25b) from the top and the bottom of the cylinder.
15. Clean and inspect all parts. Inspect displacement rod's (27) and cylinder's (12) chrome for grooves, dents or worn areas. Replace


if hard chrome is damaged. Inspect inlet valve seat (10) and replace if cracked or worn. Inspect outlet valve seat (13) and replace if damaged.

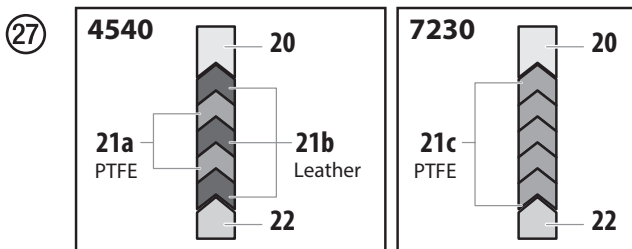
- Repair the fluid pump by using all of the parts contained in the kit. For any other parts not included in the kit, replace those as needed.

**REASSEMBLY PROCEDURE**


	The pump adapter (19) should still be secured upside-down in a vise.
---	--

- Soak the leather packings (21b) in hydraulic oil for 15-20 minutes. Lubricate all of the other parts of the upper packing set (20, 21, 22) with hydraulic oil. Insert the female gland (20), the upper packings (21) and the male gland (22) into the bottom of the fluid section adapter (19).


 <b>Attention</b>	Since the pump adapter (19) is upside-down, the upper packing set will be installed accordingly, with the peak of the "V" packings (21) pointing down. After reinstallation, once the pump adapter is turned right-side up again, the peak of the "V" packings will point upwards. See fig. 27 for the final orientation of all parts of the upper packing set (20-22).
---	---

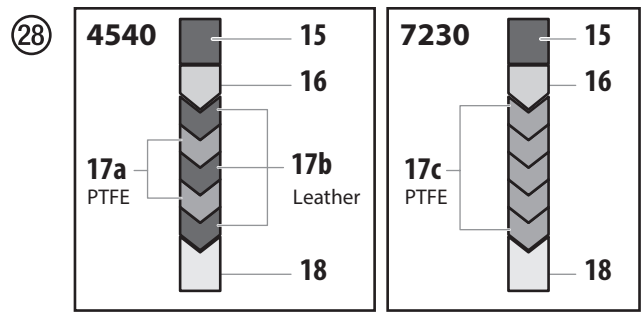


- Insert upper spring (23); small end of spring must go toward the packing set.
- Insert spring retainer (24).
- Install new O-rings (25a/25b) on the cylinder (12).


	Lubricate all O-rings before assembly (Piston Lube, Part # 314-480).
---	--

- Thread the cylinder (12) into the pump adapter (19). Tighten by using a wrench on the flats of the cylinder.
- Soak the leather packings (17b) in hydraulic oil for 15-20 minutes. Lubricate all other parts of the lower packing set (15-16, 17, 18) with hydraulic oil. Install them onto the outlet valve housing (13) in the following order: gland (18), lower packing set (17), gland (16) and retainer (15).


 <b>Attention</b>	The peak of the "V" packings (17) should be facing downward upon reassembly.
---	--



- Reinstall the ball (14) onto the outlet valve housing (13).
- Coat the female threads of the displacement rod with adhesive activator included with repair kit 240713.
- Coat the male threads of the outlet valve housing (13) with 4 drops of yellow Loctite 330 (included with repair kit 240713) and 4 drops of blue Loctite 243 (426-051).
- Thread outlet valve housing (13) back into displacement rod (27). Torque to 120 ft.-lbs.

	The outlet valve housing (13) and displacement rod (27) should cure together for a minimum of 24 hours before the fluid section is allowed to have any fluid pumped through it.
---	---

- Insert displacement rod (27) assembly through upper packing set (20-22) in fluid section adapter (19). Be careful not to scratch the inner walls of the cylinder or pump adapter. Push the displacement rod through until the end is protruding from the top of the pump adapter (19).
- Remove cylinder (12) and fluid section adapter (19) from the vise.
- Reinstall the ball pin (6) into the ball cage (8). The ball pin has two possible positions. The upper ball pin location allows for more ball travel which is better for more viscous materials. The lower ball pin location is for less ball travel and is better for less viscous materials.
- Install the O-rings (11 x 2), ball seat (10), ball (9) ball cage (8) and the O-ring (7) into the foot valve (5).
- Thread the foot valve (5) into the cylinder (12). Torque to 250 in.-lbs (+/- 75 in.-lbs).

	It is not necessary to overtighten foot valve and cylinder into fluid section adapter. O-ring seals perform sealing function without excessive tightening. Full thread engagement is sufficient.
---	--

- Reinstall the fluid pump. Line up the fluid pump to the bottom of the pump block. Thread the locking nut (26) onto the hydraulic motor and tighten.
- Reinstall the two coupling halves (fig. 26, item 4).
- Slide the O-ring (3) over the two coupling halves to secure them. Slide the coupler sleeve (2) over the O-ring (3).
- Reinstall the front cover (1).

# Attention!

## Danger de blessure par injection de produit!

Les groupes "Airless" produisent des pressions de projection extrêmement élevées.

**1**

**Ne jamais exposer les doigts, les mains ou d'autres parties du corps au jet!**

**Ne jamais diriger le pistolet vers soi, vers d'autres personnes ou vers des animaux.**

**Utiliser toujours le pistolet muni de sa protection.**

**Ne traitez pas une blessure par injection comme simple coupure. En cas de blessure de la peau par l'injection de peintures ou de solvants, consultez sans retard un médecin. Renseignez le médecin sur la nature de la peinture ou du solvant utilisés.**

**2**

**Avant toute mise en service, respecter les points suivants conformément aux instructions de service:**

1. Ne jamais utiliser un équipement défectueux.
2. Verrouiller le pistolet Titan par le levier de sécurité à la gâchette.
3. Assurer la mise à la terre correcte.
4. Vérifier et respecter les pressions admissibles pour le flexible et le pistolet.
5. Contrôler l'étanchéité de tous les raccords.

**3**

**Respecter sans faute les instructions relatives au nettoyage et à l'entretien réguliers du matériel.**

**Avant toute intervention sur le matériel et pendant chaque interruption de travail, observer les règles suivantes:**

1. Evacuer la pression du pistolet et du flexible.
2. Verrouiller le pistolet Titan par le levier de sécurité à la gâchette.
3. Arrêter le groupe.

# Ne négligez pas la sécurité!



<b>1</b>	<b>PRESCRIPTIONS DE SÉCURITÉ POUR LA PROJECTION AIRLESS</b>	<b>16</b>
1.1	Explication des symboles utilisés	16
1.2	Dangers pour la sécurité	16
1.3	Utilisation sur un terrain incliné	18
1.4	Sécurité du moteur à essence	18
1.5	Ravitaillement (moteur à essence)	19
<b>2</b>	<b>ENTRETIEN</b>	<b>20</b>
2.1	Entretien du moteur hydraulique	20
2.2	Remplacement de la courroie	23
2.3	Maintenance de la section des liquides	24
	<b>ACCESSOIRES ET PIÈCES DE RECHANGE</b>	<b>38</b>
	Liste des pièces de rechange ensemble principal I	38/39
	Liste des pièces de rechange ensemble principal II	40/41
	Liste des pièces de rechange ensemble de chariot	42/43
	Liste des pièces de rechange du système hydraulique	44/45
	Liste des pièces de rechange pour l'ensemble moteur / pompe	46/47
	Liste des pièces de rechange du section des liquides	48/49
	Liste des pièces de rechange assemblage de la soupape de décharge	50
	Liste des pièces de rechange pour l'ensemble élévateur télescopique	51
	<b>SCHÉMA ÉLECTRIQUE</b>	<b>52</b>
	<b>DIAGRAMME HYDRAULIQUE</b>	<b>53</b>
	<b>ACCESSOIRES POUR GROUPES HYDRA X</b>	<b>54/55</b>
	<b>GARANTIE</b>	<b>56</b>



# 1 PRESCRIPTIONS DE SÉCURITÉ POUR LA PROJECTION AIRLESS

## 1.1 EXPLICATION DES SYMBOLES UTILISÉS

Veillez lire et être sûr de comprendre toutes les informations contenues dans ce manuel avant d'utiliser l'appareil. Lorsque vous pénétrez dans une zone qui contient les symboles suivants, soyez particulièrement vigilant et vérifiez que les systèmes de sécurité sont bien installés.



→ Ce symbole indique un risque potentiel pouvant entraîner des blessures graves ou même mortelles. Vous trouverez ci-après d'importantes consignes de sécurité.



Attention

→ Ce symbole indique un risque potentiel pour vous ou pour l'appareil. D'importantes informations sur la manière d'éviter tout dommage de l'équipement ou d'éviter des blessures légères sont indiquées ci-après.



→ Danger de blessure par injection de produit



→ Danger d'incendie



→ Risque d'explosion



→ Vapeurs toxiques et/ou inflammables. Danger d'intoxication et de brûlure



→ Risque de blessure par choc électrique



→ Les notes contiennent des informations qui doivent être consciencieusement respectées.



→ **AVERTISSEMENT! AVERTISSEMENT EN FONCTION DE LA PROPOSITION 65 DE LA CALIFORNIE**

Cet appareil peut vous exposer à des produits chimiques, y compris le plomb, reconnus par l'État de la Californie pour causer le cancer, des anomalies congénitales ou d'autres troubles de la reproduction.

L'échappement des moteurs des modèles ayant un moteur à essence peut vous exposer au monoxyde de carbone, reconnu par l'État de la Californie pour causer le cancer, des anomalies congénitales ou d'autres troubles de la reproduction.

Pour de plus amples renseignements, consultez le site Web [www.P65warnings.ca.gov](http://www.P65warnings.ca.gov).

## 1.2 DANGERS POUR LA SÉCURITÉ



CONSIGNES DE SÉCURITÉ IMPORTANTES  
CONSERVEZ CES INSTRUCTIONS.



### MISE EN GARDE : BLESSURE PAR PROJECTION

Un courant de liquide à haute pression produit par cet équipement peut percer la peau et les tissus sous-cutanés, et entraîner des blessures graves ou une amputation.

Ne traitez pas une blessure par injection comme simple coupure. En cas de blessure de la peau par l'injection de peintures ou de solvants, consultez sans retard un médecin. Renseignez le médecin sur la nature de la peinture ou du solvant utilisés.

### PRÉVENTION :

- NE dirigez JAMAIS le pistolet vers une partie du corps, quelle qu'elle soit.
- NE laissez JAMAIS une partie du corps entrer en contact avec le flux de liquide. NE laissez JAMAIS votre corps au contact d'une fuite dans le tuyau de liquide.
- NE placez JAMAIS vos mains devant le pistolet. Les gants ne constituent pas un rempart suffisant contre les blessures par projection.
- Bloquez TOUJOURS la gâchette du pistolet, éteignez la pompe et vidangez toute la pression avant toute opération d'entretien, avant de nettoyer une buse ou une protection, avant de changer une buse ou si vous laissez l'appareil sans surveillance. La pression ne s'évacue pas simplement en éteignant le moteur. La vanne PRIME/SPRAY ou la vanne de décharge de la pression doivent être placées dans les positions souhaitées pour vidanger la pression.
- Conservez TOUJOURS la protection de la buse en place lorsque vous pulvérisez. La protection de la buse fournit une certaine protection mais il s'agit principalement d'un système d'alarme.
- Enlevez TOUJOURS la buse de pulvérisation avant de rincer ou de nettoyer le système.
- N'utilisez JAMAIS un pistolet pulvérisateur sans blocage de gâchette et sans protection de gâchette.
- Tous les accessoires doivent pouvoir travailler à la pression de travail maximale du pulvérisateur ou au-dessus. Ceci concerne les buses de pulvérisation, les pistolets, les rallonges et le tuyau.



### MISE EN GARDE : FLEXIBLE À HAUTE PRESSION

Le tuyau de peinture peut présenter des fuites dues à l'usure, aux pincements et aux mauvaises utilisations. Toute fuite peut entraîner une projection de matériau dans la peau. Vérifiez soigneusement le tuyau avant chaque utilisation.

#### PRÉVENTION :

- Il faut éviter de trop plier le flexible; le plus petit rayon ne doit pas être inférieur à 20 cm.
- Protéger le flexible contre le passage de véhicules et éviter le frottement sur des arêtes vives.
- Remplacer immédiatement tout tuyau à haute pression endommagé.
- Ne jamais essayer de réparer un flexible endommagé!
- La charge électrostatique du pistolet et du flexible est évacuée par ce dernier. Pour cette raison, la résistance électrique entre les raccords du flexible doit être égale ou inférieure à 1 mégaohm.
- Pour des raisons de fonctionnement, de sécurité et de durée utile utiliser exclusivement des flexibles à haute pression originaux de Titan.
- Avant chaque utilisation, vérifiez que les tuyaux ne présentent ni coupures, ni fuites, ni signes d'abrasion ou de renflement du revêtement. Vérifiez l'état et le mouvement des raccords. Remplacez immédiatement les tuyaux s'ils sont en mauvais état. Ne réparez jamais un tuyau de peinture. Remplacez-le par un tuyau à haute pression relié à la masse.
- Assurez vous que le tuyau à air et les tuyaux de pulvérisation sont disposés de façon à éviter les risques de glissade, de trébuchement ou de chute.
- N'exposez pas le tuyau à des températures ou des pressions dépassant celles précisées par les fabricants.
- N'utilisez pas le tuyau comme élément de renforcement pour tirer ou lever l'équipement.



### MISE EN GARDE : EXPLOSION ET INCENDIE



Les vapeurs inflammables, telles que les vapeurs de solvant et de peinture, dans une zone de travail peuvent s'enflammer ou exploser.

#### PRÉVENTION :

- Servez-vous de l'équipement dans un endroit bien aéré. Faites circuler beaucoup d'air frais dans l'endroit afin d'éviter l'accumulation de vapeurs inflammables dans la zone de pulvérisation. Entreposez l'ensemble de la pompe dans un endroit bien aéré. Ne pulvérisez pas l'ensemble de la pompe.
- Ne faites jamais le plein lorsque le moteur est en marche ou chaud. Éteignez le moteur et laissez-le refroidir. L'essence est inflammable. Elle peut s'enflammer ou exposer si on en renverse sur une surface chaude.
- Éliminez toutes les sources d'inflammation, comme les veilleuses, les cigarettes, les lampes électriques portatives et les toiles de protection en plastique (risque d'arc statique).
- Gardez la zone de travail exempte de débris, y compris des solvants, des chiffons et d'essence.
- Ne branchez ou ne débranchez pas les cordons d'alimentation, ne mettez pas l'appareil en marche, n'allumez ou n'éteignez pas les lumières lorsque des vapeurs inflammables sont présentes.
- Mettez à terre l'équipement et les objets conducteurs dans la zone de travail. Assurez-vous que le câble de mise à la terre (non inclus) relie la patte de mise à la terre à une prise de terre réelle.
- Utilisez uniquement des tuyaux mis à la terre.
- Tenez le pistolet de pulvérisation fermement contre le côté d'un seau mis à la terre lorsque vous pulvérisez dans le seau.
- S'il y a production d'étincelles statiques ou si vous ressentez un choc, arrêtez le fonctionnement immédiatement.
- Soyez au courant du contenu de la peinture et des solvants à pulvériser. Lisez toutes les fiches signalétiques (FS) et les étiquettes des récipients de peinture et de solvant. Suivez les consignes de sécurité du fabricant de peinture et du solvant.
- N'utilisez pas de peinture ou de solvant contenant des hydrocarbures hydrogénés, comme du chlore, de l'eau de Javel, un agent anti-moisissure, du chlorure de méthylène et du trichloroéthane. Ils ne sont pas compatibles avec l'aluminium. Communiquez avec le fournisseur de revêtement au sujet de la compatibilité du produit avec l'aluminium.
- Gardez un extincteur dans la zone de travail.



### MISE EN GARDE : VAPEURS DANGEREUSES

Les peintures, solvants, et autres matériaux peuvent être nocifs en cas d'inhalation ou de contact avec la peau. Les vapeurs peuvent entraîner de sérieuses nausées, des syncopes ou des empoisonnements.

#### PRÉVENTION :

- Pendant le travail de protection porter un masque respiratoire. Lisez attentivement toutes les instructions fournies avec le masque pour vous assurer qu'il fournit bien la protection nécessaire.
- Tous les règlements locaux en matière de protection contre les vapeurs toxiques doivent être respectés.
- Portez des protections oculaires.
- Pour protéger la peau il est nécessaire de porter des vêtements de protection, des gants et d'utiliser éventuellement une crème de protection de la peau. Observer les prescriptions des fabricants au sujet des produits de peinture, de nettoyage et des solvants pendant la préparation, la mise en oeuvre et le nettoyage du matériel.



### MISE EN GARDE : GÉNÉRALITÉS

peut entraîner des blessures sévères ou des dégâts matériels.

#### PRÉVENTION :

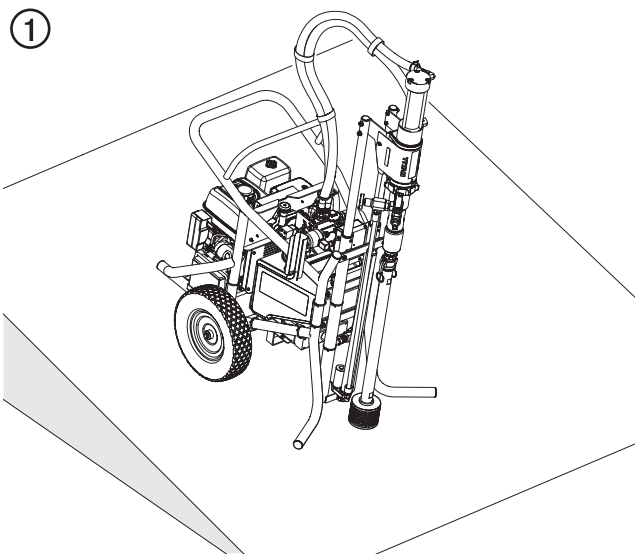
- Respectez toutes les réglementations locales et nationales concernant la ventilation, la prévention des incendies et le fonctionnement.
- Lorsque vous appuyez sur la détente, il se produit un mouvement de recul de la main qui tient le pistolet pulvérisateur. Le recul du pistolet pulvérisateur est particulièrement puissant lorsque la buse a été démontée et lorsque la pompe sans air a été réglée sur une pression élevée. Lors du nettoyage sans buse, réglez donc le bouton de contrôle de la pression sur la pression minimale.
- N'utilisez que des pièces de rechange d'origine. L'utilisateur assume tous les risques s'il utilise des pièces qui ne correspondent pas aux spécifications minimales et aux dispositifs de sécurité du fabricant de la pompe.
- Respectez TOUJOURS les consignes du fabricant du matériau pour manipuler la peinture et les solvants en toute sécurité.
- Nettoyez immédiatement les matériaux tombés et le solvant déversé accidentellement, afin d'éviter les risques de glissade.

- Munissez-vous d'une protection auditive. Le bruit émis par cet appareil peut dépasser les 85 dB(A).
- Ne laissez jamais cet outil sans surveillance. Tenez-le hors de portée des enfants ou des personnes non familiarisées avec le fonctionnement des équipements sans air.
- Ne vaporisez pas à l'extérieur en cas de vent.
- L'appareil et tous ses liquides (p. ex., huile hydraulique) doivent être détruits sans danger pour l'environnement.
- Restez vigilant et surveillez ce que vous faites.
- N'utilisez pas l'appareil lorsque vous êtes fatigués ou sous l'influence de drogues ou d'alcool.
- Ne vous penchez pas trop ou ne vous tenez pas sur un support instable. Gardez une position stable et un bon équilibre en tout temps.

### 1.3 UTILISATION SUR UN TERRAIN INCLINÉ

La partie avant du groupe doit montrer vers le bas afin d'éviter un déplacement involontaire.

Sur les supports inclinés, l'appareil ne peut pas être utilisé, vu qu'il a tendance à migrer du fait des vibrations.



### 1.4 SÉCURITÉ DU MOTEUR À ESSENCE

1. Les moteurs à essence sont conçus pour offrir un service sûr et stable à condition d'être utilisés conformément aux instructions. Lisez attentivement et assurez-vous de bien comprendre le Manuel d'utilisateur du fabricant du moteur avant d'utiliser le moteur. Dans le cas contraire, vous pourriez vous blesser ou endommager l'équipement.
2. En vue d'éviter tout risque d'incendie et de fournir une ventilation adéquate, conservez le moteur à 1 mètre (3 pieds) minimum de tout bâtiment et de tout autre équipement pendant son fonctionnement. Ne placez pas d'objets inflammables à proximité du moteur.

3. Les personnes qui n'utilisent pas l'appareil doivent s'en éloigner afin d'éviter le risque de brûlures des composants chaudes du moteur ou le danger de blessures provenant de l'équipement utilisé pour faire fonctionner l'appareil.
4. Sachez comment arrêter rapidement le moteur, et veillez à bien comprendre le fonctionnement de toutes les commandes. N'autorisez jamais personne à utiliser le moteur sans prendre connaissance des instructions adéquates.
5. L'essence est un produit extrêmement inflammable pouvant exploser sous certaines conditions.
6. Faites le plein d'essence dans une zone suffisamment ventilée, le moteur à l'arrêt. Ne fumez pas et évitez tout flamme ou étincelle dans la zone d'alimentation en essence ou dans le lieu où est stockée l'essence.
7. Ne remplissez pas trop le réservoir d'essence. Après avoir fait le plein d'essence, assurez-vous que le couvercle du réservoir est correctement et solidement refermé.
8. Faites attention à ne pas répandre de l'essence lors du remplissage du réservoir. Les vapeurs d'essence ou l'essence répandue sont susceptibles de s'enflammer. Si vous venez à déverser de l'essence, assurez-vous que la zone est bien sèche avant de mettre le moteur en marche.
9. Ne faites jamais fonctionner le moteur dans un espace clos ou confiné. L'échappement contient du monoxyde de carbone toxique ; toute exposition pourrait occasionner une perte de connaissance, voire entraîner la mort.
10. Le pot d'échappement devient extrêmement chaud pendant le fonctionnement et reste chaud pendant un certain moment même après l'arrêt du moteur. Veillez à ne pas toucher le pot d'échappement lorsqu'il est chaud. En vue d'éviter de sérieuses brûlures ou des risques d'incendie, laissez refroidir le moteur avant de le transporter ou de le ranger à l'intérieur.
11. Ne déplacez / transportez jamais le pulvérisateur lorsqu'il y a de l'essence dans le réservoir.

## 1.5 RAVITAILLEMENT (MOTEUR À ESSENCE)



L'essence est extrêmement inflammable et explosive dans certaines conditions.

### SPÉCIFICATIONS DU CARBURANT

- Utilisez une essence automobile ayant un indice d'octane d'au moins 86, ou un indice d'octane recherche d'au moins 91. L'utilisation d'une essence ayant un indice d'octane inférieur peut causer un « cognement » ou une « détonation » (un bruit d'ébranlage métallique) tenace qui, s'il est grave, peut endommager le moteur.



S'il y a un « cognement » ou une « détonation » à une vitesse constante avec une charge normale, utilisez une autre marque d'essence. Si vous obtenez toujours un cognement ou une détonation, consultez un distributeur agréé du fabricant de moteurs. Le fait de ne pas suivre cette directive constitue un abus. Les dommages causés par l'abus ne sont pas couverts par la garantie restreinte du fabricant du moteur.

Il se peut que vous entendiez parfois une détonation légère pendant le fonctionnement avec des charges lourdes. Il n'y a aucune raison de s'inquiéter, cela signifie simplement que votre moteur fonctionne de façon efficiente.

- L'essence sans plomb produit moins de dépôts du moteur et de la bougie, et rallonge la durée de vie des composantes du système d'échappement.
- Ne jamais utiliser de l'essence éventée ou contaminée, ou un mélange d'huile et d'essence. Évitez de laisser entrer de la saleté, de la poussière ou de l'eau dans le réservoir à essence.

### ESSENCES CONTENANT DE L'ALCOOL



Si vous décidez d'utiliser une essence qui contient de l'alcool (gasohol), assurez-vous qu'elle a au moins un indice d'octane correspondant à celui qui est recommandé par le fabricant du moteur. Il existe deux types de « gasohol » : un type contient de l'éthanol, tandis que l'autre contient du méthanol. N'utilisez pas un gasohol qui contient plus de 10 % d'éthanol. N'utilisez pas d'essence qui contient du méthanol (alcool méthylique ou de bois), mais qui n'inclut pas également des cosolvants et des inhibiteurs de corrosion pour le méthanol. N'utilisez jamais de l'essence qui contient plus de 5 % de méthanol, même si elle contient également des cosolvants et des inhibiteurs de corrosion.




Les dommages au système d'alimentation ou les problèmes de rendement du moteur découlant de l'utilisation d'essences contenant de l'alcool ne sont pas couverts par la garantie. Le fabricant du moteur ne peut pas approuver l'utilisation d'essences contenant du méthanol étant donné que leur adaptation n'a pas encore été éprouvée. Avant d'acheter de l'essence d'une station-service inconnue, essayez de savoir si l'essence contient de l'alcool. Si elle en contient, confirmez le type d'alcool utilisé, ainsi que le pourcentage inclus. Si vous remarquez des caractéristiques de fonctionnement indésirables lorsque vous utilisez une essence qui contient de l'alcool, ou que vous croyez qu'elle contient de l'alcool, utilisez une essence dont vous êtes certains qu'elle ne contient pas d'alcool.

## 2 ENTRETIEN

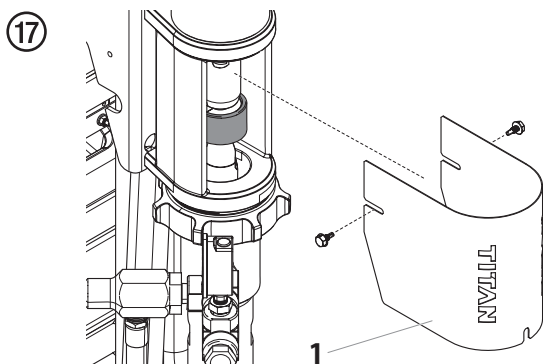
### 2.1 ENTRETIEN DU MOTEUR HYDRAULIQUE

 <p>Attention</p>	<p>L'entretien du moteur hydraulique doit uniquement s'opérer dans un lieu propre, dénué de toute poussière. Toute poussière ou particule métallique laissée dans le moteur ou s'y introduisant lors du remontage peut endommager les pièces critiques et affecter la durée de vie et la garantie de l'appareil. Toutes les pièces doivent être inspectées afin d'assurer une propreté absolue.</p>
	<p>Pour l'entretien du moteur hydraulique, il est recommandé que le piston soit au milieu de sa course. Suivez une des deux séries d'instructions ci-dessous.</p>

#### UTILISATION DU CORDON DE DÉMARRAGE DU MOTEUR

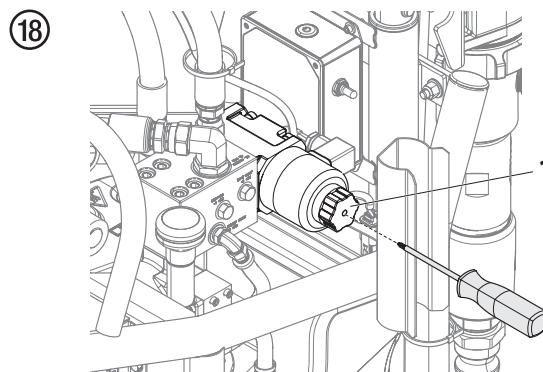
	<p>Le fait de tirer doucement le cordon de démarrage du moteur déplacera le piston vers le haut. Si le piston se trouve sous le milieu de la course, suivez les étapes suivantes.</p>
--	---

1. Retirez l'écran de protection (fig. 17, pos. 1) afin d'exposer le piston.
2. Tournez le bouton de commande de pression complètement dans le sens contraire des aiguilles d'une montre au niveau le plus faible. Tournez ensuite le bouton de commande de pression dans le sens des aiguilles d'une montre de deux tours.
3. Tirez le cordon de démarrage du moteur jusqu'à ce que le piston se trouve en milieu de course.



#### UTILISATION DU BOUTON DU SOLÉNOÏDE

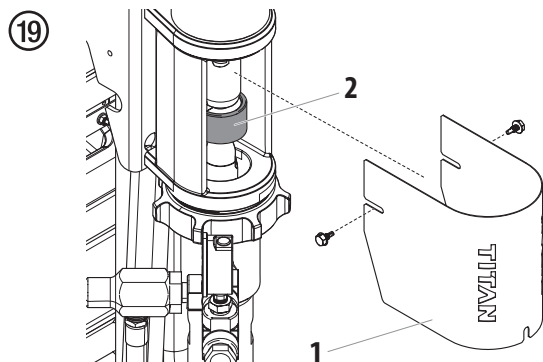
1. Retirez l'écran de protection (fig. 17, pos. 1) afin d'exposer le piston.
2. Immergez la section des liquides et le tube de retour dans un seau d'eau.
3. Tournez le bouton de commande de pression complètement dans le sens contraire des aiguilles d'une montre au niveau le plus faible.
4. Ouvrez la soupape de décharge en la tournant complètement dans le sens contraire des aiguilles d'une montre.
5. Démarrez le moteur. Déplacez le levier de l'accélérateur à un niveau plus faible.
6. Insérez le bout d'un petit tournevis Torx ou cruciforme afin d'appuyer complètement le bouton du solénoïde (fig. 18, pos. 1) et de le maintenir. Cela entraînera le déplacement automatique du piston à un niveau plus faible.
7. Relâchez légèrement le bouton jusqu'à ce que le piston se trouve au centre. Lorsque le piston se trouve au centre, arrêtez immédiatement le moteur.



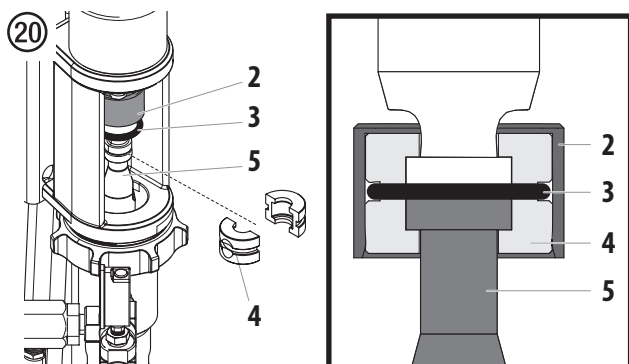


## DÉMONTAGE DU MOTEUR HYDRAULIQUE

1. Retirez les vis de l'écran de protection et l'écran de protection (fig. 19, pos. 1). Cela devrait exposer le manchon du coupleur (2).



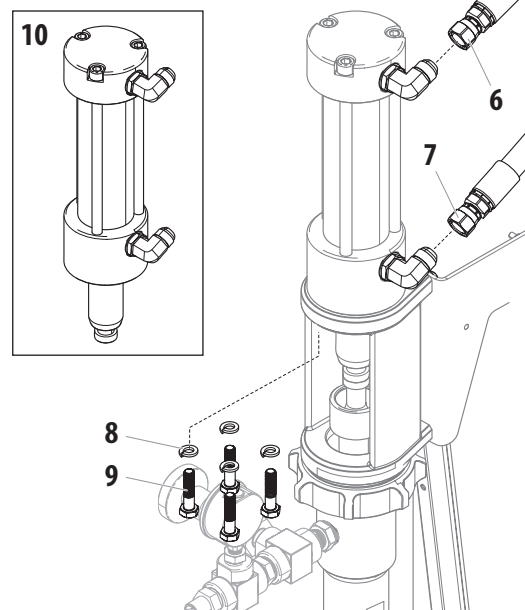
2. Poussez le manchon du coupleur vers le haut. Le joint torique sous le manchon offrira une certaine résistance. Poussez le manchon du coupleur (2) vers le haut afin d'exposer le joint torique.
3. Glissez le joint torique (fig. 20, pos. 3) vers le haut pour le dégager des deux moitiés de l'accouplement (4). Retirez les deux moitiés de l'accouplement (4).
4. Par la suite, glissez le manchon du coupleur (2) et le joint torique (3) sur le piston de la section des liquides (5).



Les tuyaux hydrauliques seront retirés à la prochaine étape. Assurez-vous d'avoir des bouchons ou un chiffon sur place pour minimiser la fuite de fluide hydraulique qui se produira lorsque vous retirerez les tuyaux.

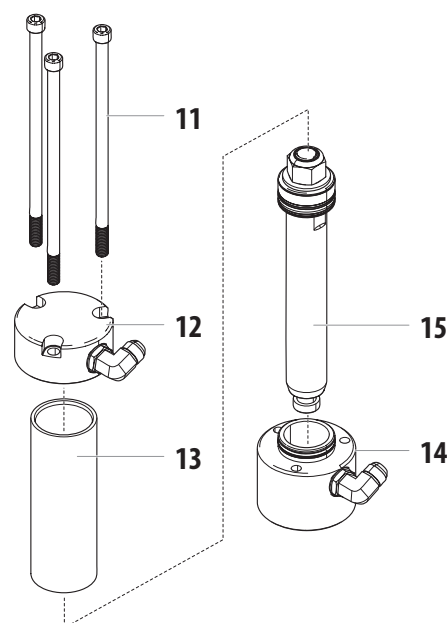
5. Retirez les tuyaux hydrauliques (fig. 21, pos. 6-7) des raccords soudés.
6. Enlevez les quatre vis (8) et les rondelles (9) de la partie inférieure du moteur hydraulique. Enlevez l'ensemble du moteur hydraulique (10) de la section des liquides.

21



7. À l'aide d'une clé Allen, enlevez les trois longs boulons (fig. 22, pos. 1) de la partie supérieure du moteur hydraulique.
8. Retirez le couvercle (12) du cylindre (13) en le tournant. Retirez le cylindre du bloc du joint de tige (14).
9. Enlevez l'ensemble du piston (15) du bloc du joint de tige (14).

22



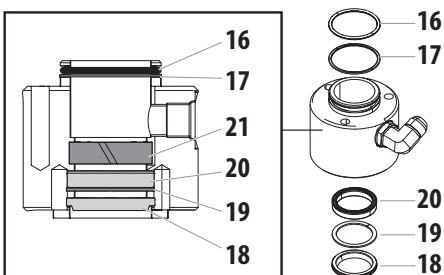
10. Retirez le joint torique (fig. 23, pos. 16) et la bague d'appui (17) de la partie supérieure du bloc du joint de tige. Retirez ensuite le coussin poreux (18), la bague d'appui (19), et le joint de tige (20). Inspectez la bague d'usure (21, toujours située à l'intérieur du bloc). Sauf en cas de dommages évidents, la bague d'usure (21) n'a pas besoin d'être remplacée.



Enlevez ces pièces très soigneusement. N'égratignez pas les surfaces en métal du bloc du joint de tige.

11. Remplacez toutes les pièces par les nouvelles pièces (articles 16 à 20) de la trousse de réparation.

23



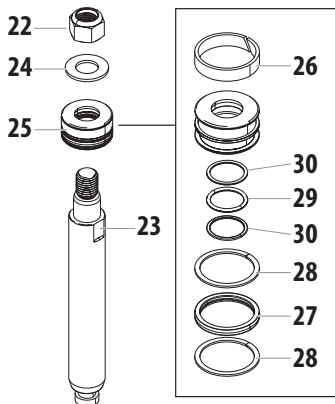
12. Serrez l'écrou de piston (fig. 24, pos. 22) dans un étau d'établi. À l'aide d'une clé sur les facettes (23) du piston, retirez l'écrou de piston (22).
13. Retirez la rondelle (24) et l'ensemble de la tête de piston (25).
14. Enlevez la bague d'usure (26), le joint de piston (27) et les bagues d'appui (28) de l'extérieur l'ensemble de la tête de piston (25).
15. Enlevez le joint torique (29) et les bagues d'appui (30) de l'intérieur de l'ensemble de la tête de piston (25).



Enlevez ces pièces très soigneusement. N'égratignez pas les surfaces en métal de la tête de piston.

16. Remplacez toutes les pièces par les nouvelles pièces (pos. 22, 26 à 30) de la trousse de réparation.

24



## REMONTAGE DU MOTEUR HYDRAULIQUE

1. Réinstallez l'ensemble de la tête de piston (25) et la rondelle (24) sur le piston.
2. Serrez l'écrou de piston (22) dans un étau d'établi.



L'écrou de piston est à usage unique (22). Faites attention de ne pas l'endommager dans d'établi.

3. À l'aide d'une clé sur les facettes (23) du piston, vissez le piston dans l'écrou. Serrez le piston à un couple de 111 kilogrammètres.
4. Installez le cylindre (fig. 22, pos. 13) sur le bloc du joint de tige (14). Tapez-le doucement en place avec un maillet en caoutchouc jusqu'à ce qu'il soit au même niveau. Enduisez l'intérieur du cylindre d'huile hydraulique.
5. Installez l'ensemble du piston (15) dans le cylindre et le bloc du joint de tige. Tournez l'ensemble du piston afin qu'il se trouve sur une surface dure. À l'aide d'un maillet en caoutchouc, tapez doucement sur le bloc de joint de tige jusqu'à ce que le piston soit bien en place dans le cylindre et le bloc de joint de tige.
6. Installez le couvercle du cylindre (12) sur le cylindre (13). Tapez-le doucement en place avec un maillet en caoutchouc jusqu'à ce qu'il soit au même niveau que le cylindre.
7. Remplacez les trois longs boulons (11) dans le couvercle du cylindre (12) jusqu'au bloc de joint de tige (14). Serrez les boulons au couple de 12 kilogrammètres.
8. Remettez l'ensemble du moteur hydraulique (fig. 21, pos. 10) en place sur la section des liquides. Fixez-le à l'aide des quatre boulons (9) et des rondelles (8). Serrez les boulons au couple de 6 kilogrammètres.
9. Remettez les tuyaux hydrauliques (6, 7) sur les raccords coudés du moteur hydraulique. Assurez-vous que chaque tuyau est relié au bon raccord.
10. Glissez le manchon du coupleur (fig. 20, pos. 2) et le joint torique (3) sur le piston du moteur hydraulique. Assurez-vous que le manchon du coupleur (2) soit bien placé avant de procéder.
11. Fixez le piston de la section des liquides et le piston du moteur hydraulique en réinstallant les deux moitiés de l'accouplement (4). Glissez le joint torique (3) sur les moitiés de l'accouplement (4), suivi par le manchon du coupleur (2).
12. Remettez l'écran de protection en place et fixez-le avec les vis.



Une fois que la réparation est terminée, démarrez le moteur. Laissez l'appareil fonctionner pendant quelques minutes et arrêtez-le. Vérifiez immédiatement le niveau d'huile hydraulique et remplissez l'appareil, au besoin.



## 2.2 REMPLACEMENT DE LA COURROIE



Avant de remplacer la courroie de votre appareil, assurez-vous d'avoir suivi la procédure de décompression illustrée dans la section Fonctionnement du présent manuel. NE tentez PAS d'effectuer cette réparation pendant que l'appareil est en marche.

**RISQUE DE PINCEMENT.** Assurez-vous de garder vos doigts loin de la surface de contact entre la courroie et la poulie.

**DANGER DE BRÛLURE.** Assurez-vous de laisser le moteur à essence se refroidir suffisamment avant de le toucher.

On recommande que deux personnes fassent cette procédure.

### ENLÈVEMENT

1. Enlevez les huit vis (fig. 29, pos. 1) qui fixent le protège-courroie (2) du châssis du chariot. Retirez le protège-courroie.
2. Desserrez, mais n'enlevez pas les quatre écrous hexagonaux/boulons (3) qui fixent le moteur à la plaque moteur.
3. Une fois les écrous/boulons desserrés, inclinez le moteur vers l'arrière avec soin pour relâcher la tension de la courroie (4).
4. Une fois lâche, la courroie peut être enlevée par une deuxième personne.

### RÉINSTALLATION

1. Pendant que la courroie est enlevée, glissez le moteur vers la droite (quand on le regarde de l'arrière du pulvérisateur) aussi loin que possible.

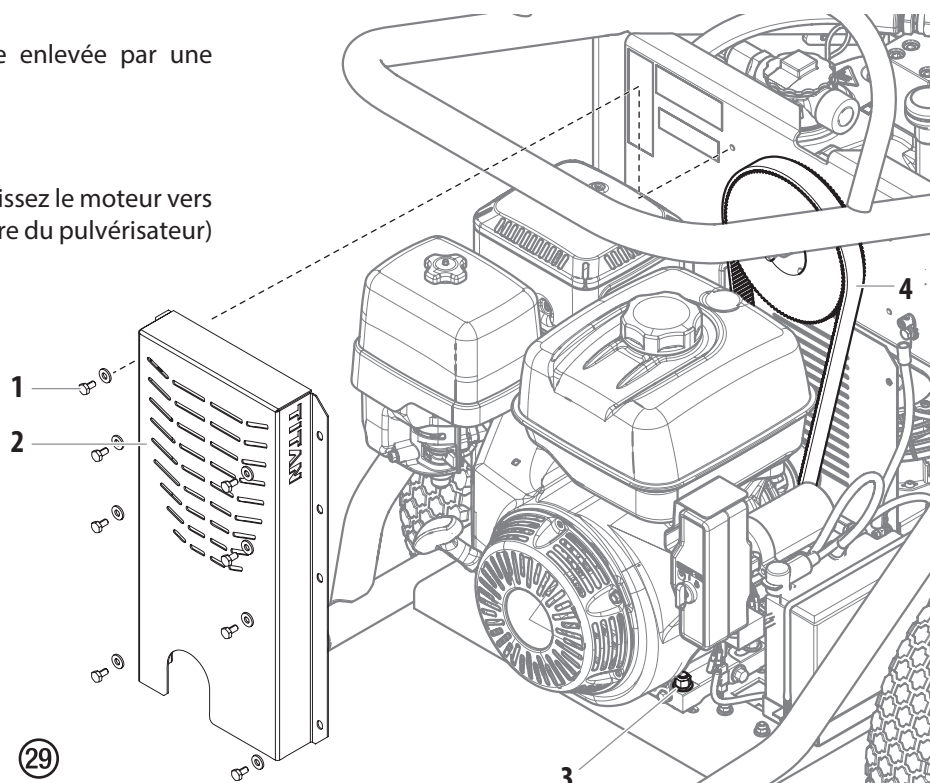
2. Enroulez la nouvelle courroie sur la poulie supérieure jusqu'à ce que la courroie s'insère dans la gorge de poulie. Laissez la courroie pendre de la poulie supérieure. Avec votre main, tenez la courroie en place à la position d'environ 3:00 sur la gorge de la poulie inférieure.
3. Utilisez l'autre main pour tourner manuellement la poulie supérieure dans le sens des aiguilles d'une montre. Laissez la main tenant la courroie de la poulie inférieure suivre le mouvement. Le mouvement de la poulie et le placement de votre main sur la courroie de la poulie inférieure permettront à la courroie de glisser en place sur la poulie inférieure.



Attention

Assurez-vous que la courroie n'est pincée ou enroulée en aucune façon.

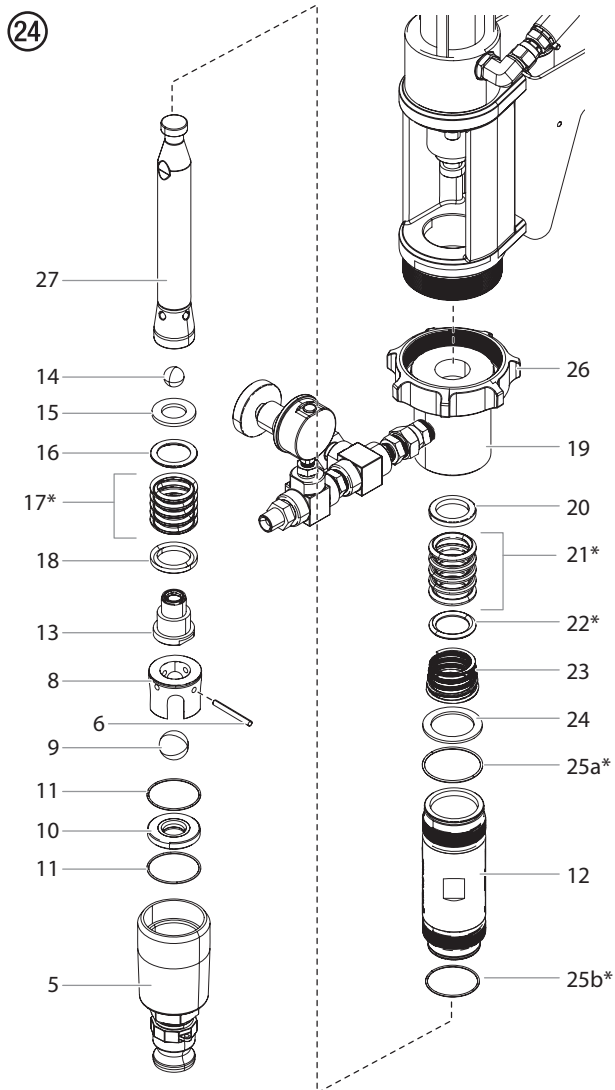
4. Avez soin, glissez le moteur vers la gauche (quand on le regarde de l'arrière du pulvérisateur) aussi loin que le permettra la tension de la courroie.
5. Serrez les écrous/boulons (3) qui fixent le moteur à la plaque moteur. Serrez les vis au couple de 27 à 28 N.m.
6. Remettez le protège-courroie (2) en place et fixez-le à l'aide des six vis (1). Serrez les vis au couple de 18 à 19 N.m.



## 2.3 MAINTENANCE DE LA SECTION DES LIQUIDES



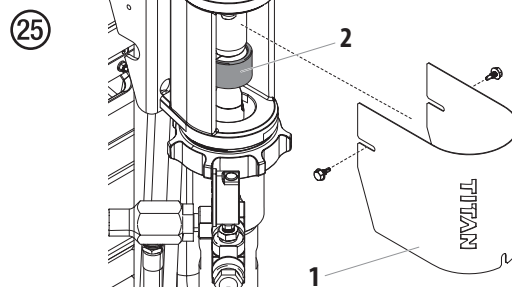
Les performances d'un 4540 peuvent être converties en 7230 (et vice versa) en achetant un ensemble de conversion (voir le bas du tableau des pièces, page 49).



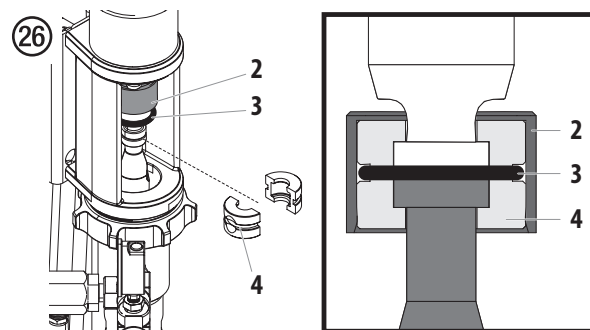
L'utilisation de pièces de rechange autres que celles fournies pas Titan peut entraîner l'annulation de la garantie. Demandez des pièces d'origine de Titan pour une meilleure maintenance. Ces pompes doivent être régulièrement entretenues après 1 000 heures d'utilisation environ. Un entretien précoce est nécessaire s'il y a des fuites importantes dans la garniture supérieure ou si la course ascendante ou descendante de la pompe devient trop rapide. L'utilisation du lubrifiant Piston Lube de Titan (n° de pièce 314-480) est conseillée pour lubrifier la garniture supérieure. Ne remplacez pas ce lubrifiant par de l'huile, de l'eau ou un solvant pour lubrifier la garniture supérieure.

## DÉMONTAGE DE LA SECTION DES LIQUIDES

1. Vérifiez la pompe avant de la démonter. Suivez la méthode de vérification décrite dans le guide de dépannage – Section des liquides du mode d'emploi pour vous aider à déterminer la cause et la solution à divers problèmes.
2. Retirez l'ensemble du tuyau-siphon.
3. Retirez les vis de l'écran de protection et l'écran de protection (fig. 25, pos. 1). Cela devrait exposer le manchon du coupleur (2).



4. Poussez le manchon du coupleur vers le haut. Le joint torique sous le manchon offrira une certaine résistance. Poussez le manchon du coupleur vers le haut afin d'exposer le joint torique.
5. Glissez le joint torique (fig. 26, article 3) vers le haut pour le dégager des deux moitiés de l'accouplement (4). Retirez les deux moitiés de l'accouplement (4).



6. Desserrez complètement le contre-écrou (fig. 24, pos. 26) et retirez l'ensemble de la section des liquides du moteur hydraulique.
7. Dévissez et retirez le clapet de pied (5).
8. Retirez le guide de bille (8), la bille (9), la cage de rotule (10) et le joint torique en PTFE (11) du clapet de pied (5). Retirez la queue à rotule (6) du guide de bille (8).
9. Appuyez sur la tige de déplacement (27) le plus possible. Retirez-la par le fonds du cylindre (12).
10. Fixez les côtés plats de la tige de déplacement (27) dans un étau. À l'aide d'une clé, dévissez et retirez le siège de piston (13).
11. Retirez la bille (14), le dispositif de retenue (15) et l'ensemble de la garniture inférieure (16 à 18).
12. Placez le groupe de pompage à l'envers (19) dans un étau. À l'aide d'une clé sur les côtés plats du cylindre (12), dévissez le cylindre du groupe de pompage.
13. Retirez l'ensemble de la garniture supérieure (20 à 22), le ressort supérieur (23) et la coupelle d'appui du ressort (24) du groupe de pompage.
14. Retirez les joints toriques (25a/25b) du haut et du fonds du cylindre.
15. Nettoyez et inspectez toutes les pièces. Vérifiez si le chrome de la tige de piston (27) et du cylindre (12) a des rainures, des défoncements ou s'il est usé. Remplacez le chrome dur qui est endommagé. Inspectez le siège de soupape (10) et remplacez-

les s'îls sont fendus ou usés. Inspectez le siège de la soupape de sortie (13) et remplacez-le s'il est endommagé.

- Réparez la pompe en utilisant toutes les pièces fournies dans la trousse. Remplacez les autres pièces non incluses dans la trousse, au besoin.

## PROCÉDURE DE REMONTAGE



Le groupe de pompage (19) devrait encore se trouver à l'envers dans l'étau.

- Trempez les garnitures en cuir (21b) dans de l'huile hydraulique pendant 15 à 20 minutes. Lubrifiez toutes les pièces de l'ensemble de la garniture supérieure (20, 21, 22) avec de l'huile hydraulique. Insérez le fouloir femelle (20), la garniture supérieure (21) et le fouloir mâle (22) dans le fonds du groupe de pompage (19).

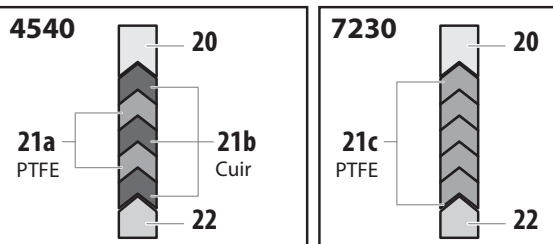


Attention

Étant donné que le groupe de pompage (19) est à l'envers, l'ensemble de la garniture supérieure sera installé en conséquence, avec le sommet des garnitures en « V » (21) vers le bas.

Lorsque le groupe de pompage est tourné à l'endroit après le remontage, le sommet des garnitures en « V » pointera vers le haut. Consultez la fig. 27 pour l'orientation finale de toutes les pièces de l'ensemble de la garniture supérieure (20 à 22).

27



- Insérez le ressort supérieur (23); le petit bout du ressort doit être orienté vers l'ensemble de garniture.
- Insérez le dispositif de retenue du ressort (24).
- Installez les nouveaux joints toriques (25) sur le cylindre (12).



Lubrifiez les joints toriques avant le montage (Piston Lube, N° de pièce 314-480).

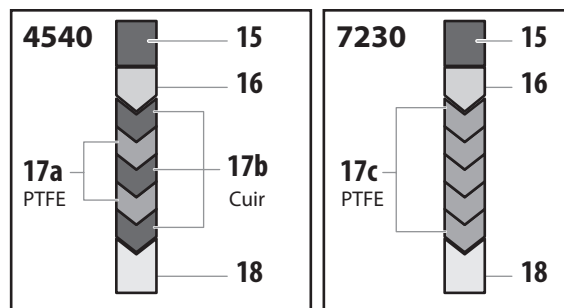
- Vissez le cylindre (12) sur le groupe de pompage (19). Serrez-le à l'aide d'une clé placée sur les côtés plats du cylindre.
- Trempez les garnitures en cuir (17b) dans de l'huile hydraulique pendant 15 à 20 minutes. Lubrifiez toutes les pièces de l'ensemble de la garniture inférieure (15-16, 17, 18) avec de l'huile hydraulique. Installez les pièces dans le siège de piston (13) dans l'ordre suivant : dispositif de retenue (15), fouloir (18), ensemble de la garniture inférieure (17) et fouloir (16).



Attention

Le sommet du « V » de la garniture (17) doit être orienté vers le bas pendant le remontage.

28



- Remettez la bille (14) en place dans le siège de piston (13).
- Enduire les filets femelles de la tige de piston (27) avec l'activateur adhésif inclus avec le kit de réparation 240713.
- Enduire les filets mâles du dispositif de siège de piston (13) avec 4 gouttes de Loctite 330 jaune (incluses avec le kit de réparation 240713) et 4 gouttes de Loctite 243 bleu (426-051).
- Vissez le siège de piston (13) sur la tige de piston (27). Serrez à un couple de 74-88 N.m (55 à 65 pi/lb).



Le dispositif de siège de piston (13) et la tige de piston (27) doivent durcir ensemble pendant un minimum de 24 heures avant que la section de fluide ne puisse être pompée à travers elle.

- Passez l'ensemble de la tige de piston (27) à travers l'ensemble de garniture supérieure (20-22) dans le bloc de la pompe (19). Évitez d'égratigner les parois internes du cylindre ou du groupe de pompage. Insérez la tige de déplacement jusqu'à ce que le bout de la tige dépasse du haut du groupe de pompage (19).
- Retirez le cylindre (12) et le groupe de pompage (19) de l'étau.
- Remettez la queue à rotule (6) dans le guide de bille (8). La rotule de boule a deux positions possibles. L'emplacement supérieur permet une plus grande course de la balle, ce qui est mieux pour les matériaux plus visqueux. L'emplacement inférieur permet de réduire la course de la balle et est préférable pour les matériaux moins visqueux.
- Installez le joint toriques (11 x 2), la cage de rotule (10), la bille (9), le guide de bille (8) et le joint torique (7) dans le clapet de pied (5).
- Vissez le clapet de pied (5) dans le cylindre (12). Serrez le clapet de pied au couple de 28 N.m (+/- 8 N.m).



Il n'est pas nécessaire de trop serrer le clapet de pied et le cylindre dans le bloc de la pompe. Les joints toriques scellent sans avoir besoin de trop serrer. Le filetage complet en prise de l'écrou est suffisant.

- Réinstallez la pompe. Alignez la pompe à la partie inférieure du moteur hydraulique. Vissez le contre-écrou (26) sur le moteur hydraulique et serrez-le.
- Réinstallez les deux moitiés de l'accouplement (fig. 26, pos, 4).
- Glissez le joint torique (3) par-dessus les deux moitiés de l'accouplement afin de les fixer. Glissez le manchon du coupleur (2) par-dessus le joint torique (3).
- Remettez l'écran de protection avant (1) en place.

# ¡Advertencia!

## ¡Atención: Peligro de lesiones por inyección!

Los equipos Airless producen unas presiones de pulverización extremadamente altas.



**1**

**¡Nunca poner en contacto con el chorro de pulverización ni los dedos, ni las manos ni otras partes del cuerpo!**

**No dirigir nunca la pistola de pulverización hacia sí mismo, en dirección a otras personas y a animales.**

**No utilizar jamás la pistola sin el protector contra contactos.**

**No trate una lesión por pulverización como una lesión de corte inocua. En caso de lesiones cutáneas por contacto con material de recubrimiento o disolvente, consultar inmediatamente a un médico para un tratamiento rápido y correcto. Informe al médico sobre el material de recubrimiento o disolvente utilizado.**

**2**

**Antes de toda puesta en funcionamiento se tendrán en cuenta los puntos siguientes; conforme a las instrucciones de uso:**

1. No utilizar equipo defectuoso.
2. Asegurar la pistola mediante la palanca de seguridad que se encuentra en la misma.
3. Asegurar la puesta a tierra.
4. Verificar la presión de servicio admitida por la manguera de alta presión y la pistola de pulverización.
5. Controlar la hermeticidad de todos los elementos de unión.

**3**

**Respetar estrictamente las instrucciones dadas para la limpieza y el mantenimiento del equipo que deben efectuarse con toda regularidad.**

**Antes de cualquier trabajo en el equipo y durante todas las pausas de trabajo, respetar sin falta las reglas siguientes:**

1. Descargar la presión de la pistola y la manguera.
2. Asegurar la pistola mediante la palanca de seguridad que se encuentra en la misma.
3. Desconectar el aparato.

# ¡Preste atención a la seguridad!

<b>1</b>	<b>NORMAS DE SEGURIDAD PARA LA PULVERIZACIÓN AIRLESS</b>	<b>28</b>
1.1	Explicación de los símbolos utilizados	28
1.2	Peligros para la seguridad	28
1.3	Instalación en superficies irregulares	30
1.4	Seguridad en los motores de gasolina	30
1.5	Abastecimiento de combustible (motor de gasolina)	31
<b>2</b>	<b>MANTENIMIENTO</b>	<b>32</b>
2.1	Mantenimiento del motor hidráulico	32
2.2	Reemplazo de la correa	35
2.3	Mantenimiento del sector del fluido	36
	<b>ACCESORIOS Y PIEZAS DE RECAMBIO</b>	<b>38</b>
	Lista de piezas de recambio de conjunto principal I	38/39
	Lista de piezas de recambio de conjunto principal II	40/41
	Lista de piezas de recambio del carro	42/43
	Lista de piezas de recambio del sistema hidráulico	44/45
	Lista de piezas de recambio de conjunto motor / bomba	46/47
	Lista de piezas de recambio del sector de fluido	48/49
	Lista de piezas de recambio de conjunto de válvula de purga	50
	Lista de repuesto para el elevador telescópico	51
	<b>ESQUEMA ELÉCTRICO</b>	<b>52</b>
	<b>DIAGRAMA HIDRÁULICO</b>	<b>53</b>
	<b>ACCESORIOS PARA APARATOS HYDRA X</b>	<b>54/55</b>
	<b>GARANTÍA</b>	<b>57</b>

# 1 NORMAS DE SEGURIDAD PARA LA PULVERIZACIÓN AIRLESS

## 1.1 EXPLICACIÓN DE LOS SÍMBOLOS UTILIZADOS

El presente manual contiene información que deberá leer y comprender bien antes de utilizar el equipo. Cuando llegue a una sección que tenga uno de los siguientes símbolos, preste especial atención y asegúrese de que se cumplen las medidas de seguridad.



→ Este símbolo indica un peligro potencial que puede provocar lesiones graves e incluso la muerte. A continuación se incluye información importante de seguridad.



→ Este símbolo indica un peligro potencial para usted o para el equipo. A continuación se incluye información importante para evitar daños al equipo o evitar situaciones que podrían provocar lesiones de segundo orden.



→ Peligro de lesiones por inyección



→ Peligro de incendio



→ Peligro de explosión



→ Mezclas de vapores tóxicos y/o inflamables. Peligro de intoxicación y quemadura



→ Peligro de lesiones por descarga eléctrica



→ Las notas añaden información importante a la que debe prestarse especial atención.



→ **¡ADVERTENCIA! ADVERTENCIA DE LA PROPUESTA 65 DE CALIFORNIA**

Este producto lo puede exponer a productos químicos, como el plomo, que el estado de California sabe que producen cáncer, defectos congénitos u otros daños reproductivos.

El escape del motor de los modelos con motores a gasolina pueden exponerlo a monóxido de carbono, que el estado de California sabe que produce cáncer, defectos congénitos y otros daños reproductivos.

Para obtener más información, visite [www.P65warnings.ca.gov](http://www.P65warnings.ca.gov).

## 1.2 PELIGROS PARA LA SEGURIDAD



INSTRUCCIONES IMPORTANTES DE SEGURIDAD. GUARDE ESTAS INSTRUCCIONES.



### ADVERTENCIA: LESIÓN CAUSADA POR INYECCIÓN

La corriente de líquido a alta presión que produce este equipo puede perforar la piel y tejidos interiores, pudiendo provocar graves lesiones e incluso hay posibilidad de amputación.

No trate una lesión por pulverización como una lesión de corte inocua. En caso de lesiones cutáneas por contacto con material de recubrimiento o disolvente, consultar inmediatamente a un médico para un tratamiento rápido y correcto. Informe al médico sobre el material de recubrimiento o disolvente utilizado.

### PREVENCIÓN:

- NUNCA dirija la pistola a ninguna parte del cuerpo.
- NUNCA toque con ninguna parte del cuerpo la corriente de líquido. NO toque con ninguna parte del cuerpo ninguna fuga en la manguera de líquido.
- NUNCA ponga la mano delante de la pistola. Los guantes no serán protección suficiente contra una lesión por inyección.
- Ponga SIEMPRE el seguro del gatillo de la pistola, cierre la bomba y libere toda la presión antes de realizar labores de mantenimiento y reparación, limpiar la boquilla o el protector, cambiar la boquilla o dejar de usarla. La presión no se descargará apagando el motor. La válvula PRIME/SPRAY (cebar/pulverizar) o válvula de purga de presión debe estar en la posición adecuada para liberar la presión del sistema. Consulte el PROCEDIMIENTO PARA LIBERAR PRESIÓN descrito en el presente manual.
- Mantenga SIEMPRE el protector de la boquilla en su sitio mientras pulveriza. El protector de la boquilla ofrece cierta protección pero principalmente se trata de un dispositivo de advertencia.
- Desmonte SIEMPRE la boquilla pulverizadora antes de enjuagar o limpiar el sistema.
- NUNCA use una pistola pulverizadora si el seguro del gatillo no funciona o si la protección del gatillo no está en su sitio.
- Todos los accesorios deben cumplir o superar las especificaciones nominales para la gama de presiones de funcionamiento del pulverizador. Esto incluye boquillas pulverizadoras, pistolas, extensiones y manguera.





### ADVERTENCIA: MANGUERA DE ALTA PRESIÓN

En la manguera de pintura pueden aparecer fugas a causa del desgaste, de retorcimientos o de un mal uso. Una fuga puede proyectar material hacia la piel. Revise siempre la manguera antes de usarla.

#### PREVENCIÓN:

- Evitar doblar mucho o plegar la manguera de alta presión, radio de flexión mínimo, aprox. 20 cm.
- No pasar por encima de la manguera de alta presión, protegerla contra contactos con objetos agudos y cantos cortantes.
- Sustituir inmediatamente la manguera de alta presión dañada.
- ¡No reparar nunca una manguera de alta presión defectuosa!
- La carga electrostática de la pistola de pulverización y la manguera de alta presión se descarga a través de la manguera de alta presión. Por esa razón, la resistencia eléctrica entre los empalmes de la manguera de alta presión debe ser igual o menor a un Megaohm.
- Por razones de funcionamiento, seguridad y duración, emplear únicamente mangueras de alta presión originales de Titan.
- Cada vez que vaya a utilizar el equipo, compruebe antes todas las mangueras en busca de cortes, fugas, abrasión o bultos en la cubierta. Compruebe el movimiento de los acoplamientos y si están dañados. Sustituya inmediatamente una manguera si descubre alguna de estas anomalías. No repare nunca una manguera de pintar. Sustitúyala por una manguera a alta presión puesta a tierra.
- Asegúrese de que la manguera de aire y las mangueras de pulverización estén dispuestos de forma que minimicen el peligro de deslizamientos, tropiezos y caídas.
- No exponga la manguera a temperaturas o presiones por sobre las que especifica el fabricante.
- No use la manguera como un miembro de fuerza para tirar del equipo o para levantarlo.



### ADVERTENCIA: EXPLOSIONES E INCENDIOS

Los vapores inflamables, como los vapores de las pinturas y los solventes, pueden encenderse o explotar en el área de trabajo.

#### PREVENCIÓN:

- Use el equipo solo en áreas bien ventiladas. Mantenga un buen suministro de aire fresco moviéndose a través del área para mantener el aire al interior del área de pulverización libre de acumulación de vapores inflamables. Mantenga el conjunto de la bomba en un área bien ventilada. No pulverice el conjunto de la bomba.
- Solo para modelos a gas: no llene el tanque de combustible mientras el motor esté en marcha o está caliente; apague el motor y deje que se enfríe. El combustible es inflamable y puede encenderse o explotar si se derrama sobre una superficie caliente.
- Elimine todas las fuentes de encendido como luces de piloto, cigarrillos, lámparas eléctricas portátiles y cubiertas plásticas (potenciales arcos estáticos).
- Mantenga el área de trabajo libre de desechos, lo que incluye solventes, trapos y gasolina.
- No conecte o desconecte cables de alimentación ni prenda o apague interruptores de luz o de energía cuando hay vapores inflamables presentes.
- Conecte a tierra el equipo y los objetos conductores en el área de trabajo. Asegúrese de que el cable de conexión a tierra (no viene equipado) está conectado desde el terminal de conexión a tierra a tierra verdadera.
- Use solo mangueras conectadas a tierra.
- Sostenga firmemente la pistola pulverizadora en el costado de un cubo conectado a tierra cuando se aprieta el gatillo hacia un cubo.
- Si hay formación estática de chispas o si usted siente una descarga, detenga inmediatamente la operación.
- Conozca el contenido de la pintura y de los solventes que se pulverizan. Lea todas las hojas de datos de seguridad de materiales (SDS) y las etiquetas de los recipientes proporcionadas con las pinturas y solventes. Siga las instrucciones de seguridad de los fabricantes de las pinturas y los solventes.
- No use una pintura o un solvente que contenga hidrocarburos halogenados. Tales como: cloro, fungicida, blanqueador, cloruro de metileno y tricloroetano. Estos no son compatibles con el aluminio. Contacte con el proveedor del recubrimiento para obtener información acerca de la compatibilidad del material con el aluminio.
- Mantenga un extintor de incendios en el área.





### ADVERTENCIA: VAPORES PELIGROSOS

Las pinturas, disolventes, y otros materiales pueden ser perjudiciales si se inhalan o entran en contacto con el cuerpo. Los vapores pueden provocar náuseas intensas, desmayos o envenenamiento.

#### PREVENCIÓN:

- Ponerse una careta respiratoria durante los trabajos de pulverización. Lea todas las instrucciones facilitadas con la mascarilla para asegurarse de que proporciona toda la protección necesaria.
- Se deben respetar todas las normas de seguridad con respecto a la protección contra vapores dañinos.
- Lleve gafas protectoras.
- Para proteger la piel se necesitan especialmente ropa protectora, guantes y, si es necesario, crema cutánea de protección. Prestar atención a las prescripciones de los fabricantes con respecto a materiales de recubrimiento, disolventes y agentes limpiadores durante la preparación, el tratamiento y la limpieza de los aparatos.



### PELIGRO: GENERAL

Pueden producirse lesiones graves o daños materiales.

#### PREVENCIÓN:

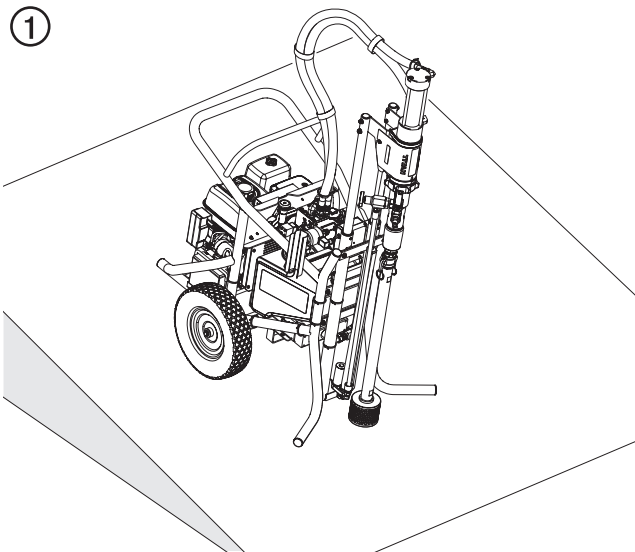
- Cumpla todos los reglamentos locales, estatales y nacionales pertinentes relativos a ventilación, prevención de incendios y funcionamiento.
- Al apretar el gatillo, la mano que sujeta la pistola pulverizadora experimenta una fuerza de retroceso. La fuerza de retroceso de la pistola pulverizadora es especialmente fuerte cuando se quita la boquilla y se selecciona una presión alta para la bomba airless. Cuando vaya a limpiar la boquilla pulverizadora, ponga la perilla de control de presión al mínimo.
- Emplee solamente piezas autorizadas por el fabricante. El usuario asumirá todos los riesgos y toda la responsabilidad cuando utilice piezas que no cumplan con las especificaciones mínimas y dispositivos de seguridad del fabricante de la bomba.
- Siga SIEMPRE las instrucciones del fabricante del material para que la manipulación de pinturas y disolventes sea segura.
- Limpie inmediatamente todos los derrames de materiales y solventes para evitar el peligro de deslizamiento.
- Lleve protección para los oídos. El aparato puede producir niveles de ruido superiores a 85 dB(A).

- Nunca deje este equipo sin vigilancia. Manténgalo fuera del alcance de los niños o de cualquier persona que no esté familiarizada con el funcionamiento de equipos airless.
- No pulverice al aire libre si hace viento.
- El dispositivo y todos los líquidos relacionados (es decir, aceite hidráulico) se deben desechar de una forma amigable con el medioambiente.
- Manténgase alerta y observe lo que está haciendo.
- No opere la unidad cuando esté fatigado o bajo la influencia de drogas o alcohol.
- No se estire demasiado ni se ponga de pie sobre un soporte inestable. Mantenga una posición y un equilibrio eficaces en todo momento.

### 1.3 INSTALACIÓN EN SUPERFICIES IRREGULARES

La parte frontal del equipo debe estar dirigida hacia abajo para evitar cualquier resbalamiento.

Sobre fondos inclinados, ya que tiende a moverse mediante vibraciones.



### 1.4 SEGURIDAD EN LOS MOTORES DE GASOLINA

1. Los motores de gasolina están diseñados para proveer un servicio seguro y confiable si se los opera siguiendo las instrucciones. Lea y comprenda el manual del usuario del fabricante del motor antes de utilizarlo; de lo contrario, pueden provocarse lesiones personales o daños al equipo.
2. Mientras el motor esté funcionando, manténgalo al menos a 1 metro (3 pies) de edificios y otros equipos para evitar riesgos de incendio y proveer una adecuada ventilación. No coloque elementos inflamables cerca del motor.

3. Las personas que no están operando el dispositivo deben alejarse del área de funcionamiento, debido a la posibilidad de quemaduras producto de los componentes calientes del motor o lesiones desde cualquier equipo cuyo motor se use para funcionar.
4. Aprenda a detener el motor rápidamente y comprenda el funcionamiento de todos los mandos. No permita que nadie utilice el motor sin recibir las instrucciones adecuadas.
5. La gasolina es extremadamente inflamable y se hace explosiva en determinadas circunstancias.
6. Al cargar combustible, hágalo en un área bien ventilada y con el motor apagado. No fume y evite la presencia de llamas o chispas en el área de carga de combustible y en el lugar donde se almacena gasolina.
7. No sobrecargue el depósito de combustible. Luego de llenarlo, asegúrese de que la tapa quede cerrada adecuada y firmemente.
8. Tenga la precaución de no derramar combustible al cargar el depósito. El vapor del combustible o el combustible derramado pueden inflamarse. Si se derrama combustible, asegúrese de que el área quede seca antes de poner en funcionamiento el motor.
9. El motor no debe funcionar en un lugar cerrado o pequeño. Los gases de escape contienen monóxido de carbono, un gas venenoso cuya presencia puede causar pérdida de conocimiento y provocar la muerte.
10. El silenciador se calienta mucho durante el funcionamiento y permanece caliente por un tiempo luego de haber detenido el motor. Tenga la precaución de no tocar el silenciador mientras esté caliente. Para evitar quemaduras graves y riesgos de incendio, deje que el motor se enfríe antes de transportarlo o guardarlo bajo techo.
11. No transporte o mueva el pulverizador con gasolina en el depósito.

## 1.5 ABASTECIMIENTO DE COMBUSTIBLE (MOTOR DE GASOLINA)



La gasolina es extremadamente inflamable y es explosiva bajo ciertas condiciones.

### ESPECIFICACIONES ACERCA DEL COMBUSTIBLE

- Use gasolina para automóviles de 86 o más octanos, el cual se indica en el surtidor, o bien, que tenga un número de octano de investigación de 91 o superior. Usar una gasolina de menor octanaje puede provocar “detonaciones” persistentes o un fuerte “golpe de bujía” (un sonido de golpeteo metálico) el cual, si es grave, puede causar daños al motor.



Si se presenta un “golpe de bujía” o “detonación” a una velocidad constante de motor con una carga normal, cambie la marca de combustible. Si el golpe de bujía o detonación persiste, consulte a un distribuidor autorizado del fabricante del motor. De lo contrario, se considera uso indebido, y el daño causado por el uso indebido no está cubierto por la garantía limitada del fabricante del motor.

En ocasiones, es posible que experimente un golpe de bujía leve mientras opera bajo cargas pesadas. Esto no es motivo de preocupación, simplemente significa que el motor está funcionando de manera eficaz.

- El combustible sin plomo produce menos depósitos en el motor y de la bujía de encendido, y extiende la vida útil de los componentes del sistema de escape.
- Nunca use gasolina contaminada o en mal estado o una mezcla de gasolina y aceite. Evite que entre suciedad, polvo o agua al tanque.

### GASOLINAS QUE CONTIENEN ALCOHOL

Si decide usar una gasolina que contenga alcohol (gasohol), asegúrese de que el octanaje sea al menos equivalente al que recomienda el fabricante del motor. Existen dos tipos de “gasohol”: uno que contiene etanol y otro que contiene metanol. No use gasohol que contenga más de 10 % de etanol. No use gasolina que contenga metanol (metilo o alcohol metílico) y que no contenga además cosolventes e inhibidores de corrosión para metanol. Nunca use gasolina que contenga más de 5 % de metanol, incluso si tiene cosolventes e inhibidores de corrosión.





Los daños al sistema de gasolina o los problemas de rendimiento del motor que resulten del uso de combustibles que contengan alcohol no están cubiertos por la garantía. El fabricante del motor no puede aprobar el uso de combustibles que contengan metanol debido a que en este momento la evidencia de su idoneidad es incompleta.


Antes de comprar gasolina en una estación de servicio desconocida, intente averiguar si la gasolina contiene alcohol. Si es así, confirme el tipo y porcentaje de alcohol usado. Si detecta cualquier característica de funcionamiento no deseada al usar una gasolina que contiene alcohol, o una que usted cree que contiene alcohol, cambie a una gasolina que usted sepa que no contiene alcohol.

## 2 MANTENIMIENTO

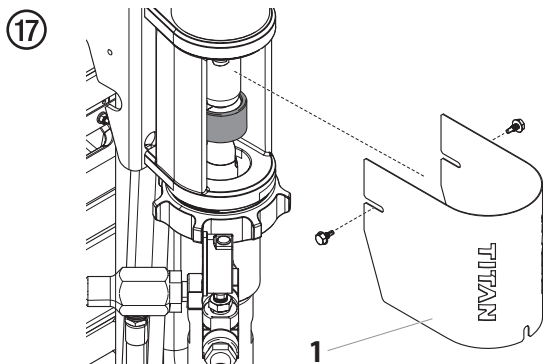
### 2.1 MANTENIMIENTO DEL MOTOR HIDRÁULICO

 <p><b>Atención</b></p>	<p>El mantenimiento del motor hidráulico debe realizarse en un área limpia y libre de polvo. Si queda polvo o partículas metálicas en el motor o si éstos ingresan al volver a montarlo, pueden dañarse piezas críticas y afectar la vida útil y la garantía. Debe revisarse que todas las piezas estén completamente limpias.</p>
	<p>Para realizar mantenimiento al motor hidráulico, se recomienda que el pistón se coloque a la mitad de su recorrido. Siga uno de los dos conjuntos de instrucciones a continuación.</p>

#### USE EL ARRANQUE MANUAL DEL MOTOR

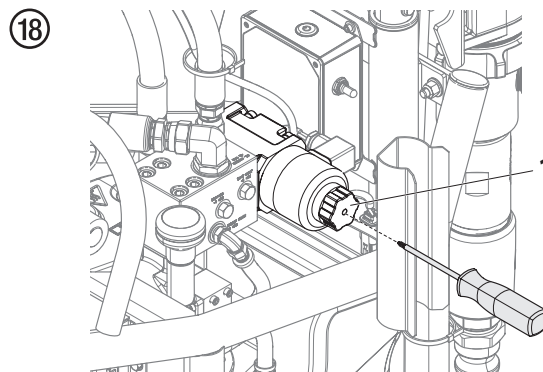
	<p>Para mover el pistón hacia arriba tire de la cuerda de arranque del motor con cuidado. Si el pistón aún no llega a la mitad de la carrera, siga estos pasos.</p>
---	---

1. Retire la cubierta (fig. 17, pos. 1) para exponer el pistón.
2. Gire completamente el regulador de presión hacia la izquierda para poner la presión en su configuración mínima. Luego, gire el regulador de presión hacia la derecha 2 vueltas completas.
3. Tire de la cuerda de arranque del motor hasta que el pistón esté en la mitad de la carrera.



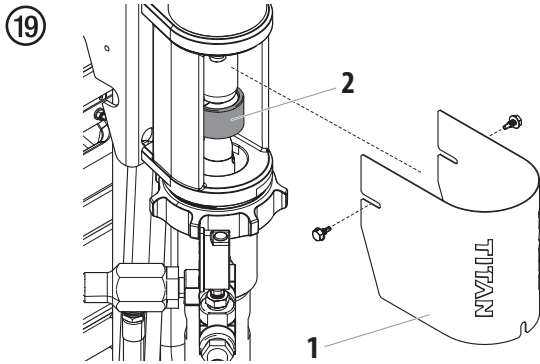
#### USE EL BOTÓN DEL SOLENOIDE

1. Retire la cubierta (fig. 17, pos. 1) para exponer el pistón.
2. Sumerja la sección de líquido y coloque el tubo en un balde con agua.
3. Gire completamente el regulador de presión hacia la izquierda para poner la presión en su configuración mínima.
4. Gire la válvula de purga completamente hacia la izquierda para abrirla.
5. Arranque el motor. Deslice la palanca del acelerador a un ajuste más bajo.
6. Con un destornillador Torx o Phillips pequeño, inserte el extremo del destornillador y mantenga presionado completamente el botón del solenoide (Fig. 18, elemento 1). Esto causará que el pistón se deslice automáticamente a una posición más baja.
7. Suelte levemente el botón hasta que el pistón se mueva a la posición central. Cuando se mueva a esta posición, apague inmediatamente el motor.

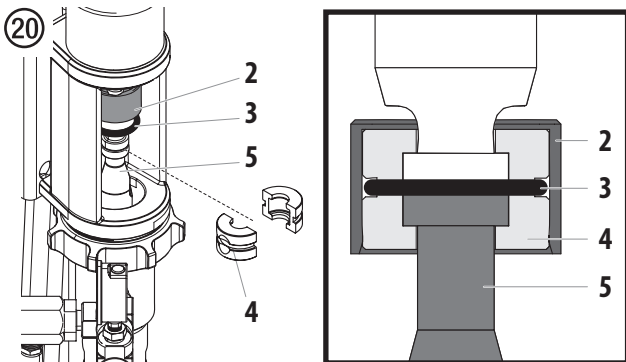


## DESENSAMBLAJE DEL MOTOR HIDRÁULICO

1. Retire los tornillos de la cubierta y retire la cubierta (Fig. 19, pos. 1). Ahora debería estar expuesto el manguito del acoplador (2).



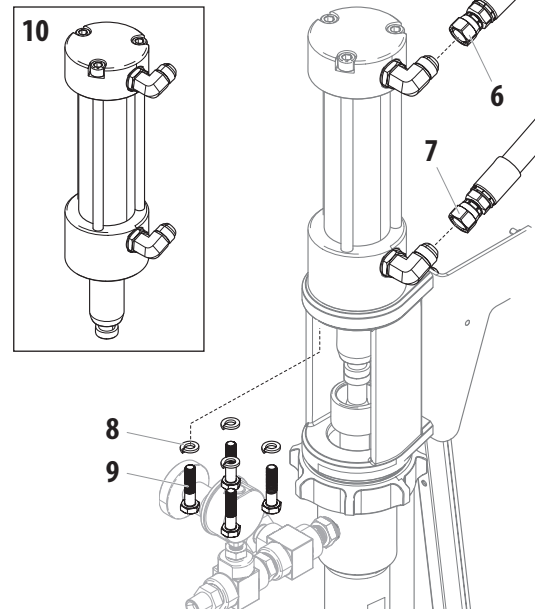
2. Empuje el manguito del acoplador hacia arriba. La junta tórica bajo este presentará algo de resistencia. Empuje el manguito del acoplador (2) hacia arriba para exponer la junta tórica.
3. Deslice la junta tórica (fig. 20, pos. 3) hacia arriba, de modo que salga de las dos mitades del acoplamiento (4). Retire las dos mitades del acoplamiento (4).
4. Una vez que se retiren las mitades del acoplamiento (4), deslice el manguito del acoplador (2) y la junta tórica (3) de vuelta sobre el pistón de la sección de líquido (5).



Las mangueras hidráulicas se retirarán en el siguiente paso. Asegúrese de tener tapones o un paño de limpieza a la mano para minimizar las fugas de líquido hidráulico que ocurrirán cuando se retiren las mangueras.

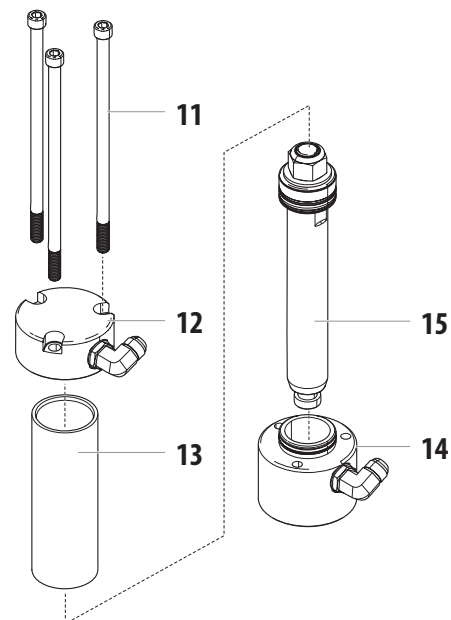
5. Retire las mangueras hidráulicas (fig. 21, pos. 6-7) de los acoples de codo.
6. Retire los cuatro tornillos (8) y arandelas (9) que están en la parte inferior del motor hidráulico. Retire todo el motor hidráulico (10) de la sección de líquido.

21




7. Use una llave hexagonal para retirar los tres pernos largos (fig. 22, pos. 11) desde la parte superior del motor hidráulico.
8. Gire la tapa del cilindro (12) para sacarla del cilindro (13). Tire del cilindro para sacarlo del bloque de junta de la biela (14).
9. Tire del conjunto de pistón (15) para sacarlo del bloque de junta de la biela (14).

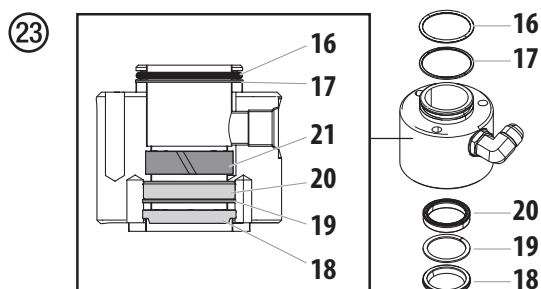
22




- Desde la parte superior del bloque de junta de la biela, retire la junta tórica (fig. 23, pos. 16) y el anillo de soporte (17). Desde el interior del bloque, retire el limpiador (18), el anillo de soporte (19), y la junta de la biela (20). Inspeccione el anillo de desgaste (21, todavía ubicado dentro del bloque). A menos que haya un daño evidente, el anillo de desgaste (21) no necesita ser reemplazado.

 <b>Atención</b>	<p>Retire estas piezas con mucho cuidado. No raye ninguna superficie metálica del bloque de junta de la biela.</p>
--	--

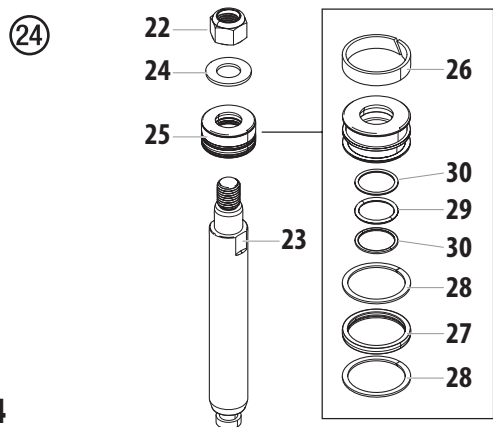
- Reemplace todas las piezas con piezas nuevas (16 a 20) del kit de reparación.



- Afirme la tuerca del pistón (fig. 24, pos. 22) en una prensa de banco. Con una llave en las caras planas (23) del pistón, retire la tuerca del pistón (22).
- Retire la arandela (24) y el conjunto de cabezal del pistón (25).
- Desde la parte exterior del conjunto de cabezal del pistón (25), retire el anillo de desgaste (26), la junta del pistón (27) y los anillos de soporte (28).
- Desde la parte interior del conjunto de cabezal del pistón (25), retire la junta tórica (29) y los anillos de soporte (30).


 <b>Atención</b>	<p>Retire estas piezas con mucho cuidado. No raye ninguna superficie metálica del cabezal del pistón.</p>
--	---

- Reemplace todas las piezas con piezas nuevas (22 y de 26 a 30) del kit de reparación.




## REENSAMBLAJE DEL MOTOR HIDRÁULICO

- Vuelva a instalar el conjunto de cabezal del pistón (25) y la arandela (24) en el pistón.
- Afirme la tuerca del pistón (22) en una prensa de banco.

 <b>Atención</b>	<p>La tuerca del pistón es de un solo uso (22). Tenga cuidado de no dañarlo en la prensa.</p>
--	---

- Con una llave en las partes planas del pistón (23), enrosque el pistón en la tuerca. Apriete a 800 lb-pie.
- Instale el cilindro (fig. 22, pos. 13) de vuelta en el bloque de junta de la biela (14). Golpee suavemente con un mazo de goma hasta que esté a ras. Lubrique el interior del cilindro con aceite hidráulico.
- Instale el conjunto de pistón (15) en el cilindro y en el bloque de junta de la biela. Colóquelo boca abajo, de modo que el conjunto de pistón descance sobre una superficie dura. Con un mazo de goma, golpee suavemente el bloque de junta de la biela hasta que el pistón esté en el interior del cilindro y del bloque de junta de la biela.
- Instale la tapa del cilindro (12) en el cilindro (13). Golpee suavemente con un mazo de goma hasta que esté a ras con el cilindro.
- Vuelva a colocar los tres pernos largos (11) a través de la tapa de cilindro (12) y en el bloque de junta de la biela (14). Apriete los pernos a 85 lb-pie.
- Vuelva a colocar el conjunto de motor hidráulico (fig. 21, pos. 10) en posición sobre la sección de líquido. Fije con los cuatro pernos (9) y arandelas (8). Apriete a 45 lb-pie.
- Vuelva a conectar las mangueras hidráulicas (6 7) en los acoples de codo del motor hidráulico. Asegúrese de que cada manguera esté conectada en su acople adecuado.
- Deslice el manguito del acoplador (fig. 20, pos. 2) y la junta tórica (3) de vuelta sobre el pistón del motor hidráulico. Asegúrese de que el manguito del acoplador (2) esté completamente instalado antes de continuar.
- Para fijar el pistón de la sección de líquido y el pistón del motor hidráulico, vuelva a instalar las dos mitades del acoplamiento (4). Deslice la junta tórica (3) sobre las mitades del acoplamiento, (4), seguido del manguito del acoplamiento (2).
- Vuelva a colocar la cubierta y fije con los tornillos.

	<p>Una vez que la reparación esté completa, arranque el motor. Permita que la unidad funcione por unos minutos y luego apáguela. Revise inmediatamente el nivel de aceite hidráulico y, de ser necesario, rellénelo.</p>
---	--



## 2.2 REEMPLAZO DE LA CORREA



Antes de reemplazar la correa de la unidad, asegúrese de haber realizado el "Procedimiento de liberación de presión" según se ilustra en la sección Operación de este manual. NO intente realizar esta reparación mientras la unidad esté funcionando.

**PELIGRO DE PELLIZCO.** Asegúrese de mantener sus dedos lejos del área de contacto entre la correa y la polea.

**PELIGRO DE QUEMADURAS.** Asegúrese de que el motor de gasolina haya tenido tiempo para enfriarse lo suficiente antes de tocarlo.

Se recomienda que dos personas realicen este procedimiento.

### RETIRO

1. Retire los ocho tornillos (fig. 29, pos. 1) que fijan la protección de la correa (2) al bastidor del carro. Retire la protección.
2. Suelte, pero no retire, los cuatro pernos y tuercas hexagonales (3) que fijan el motor a la placa del motor.
3. Con los pernos y tuercas sueltos, incline cuidadosamente el motor hacia atrás para quitar la tensión de la correa (4).
4. Mientras la correa esté suelta, la segunda persona puede retirarla.

### REINSTALACIÓN

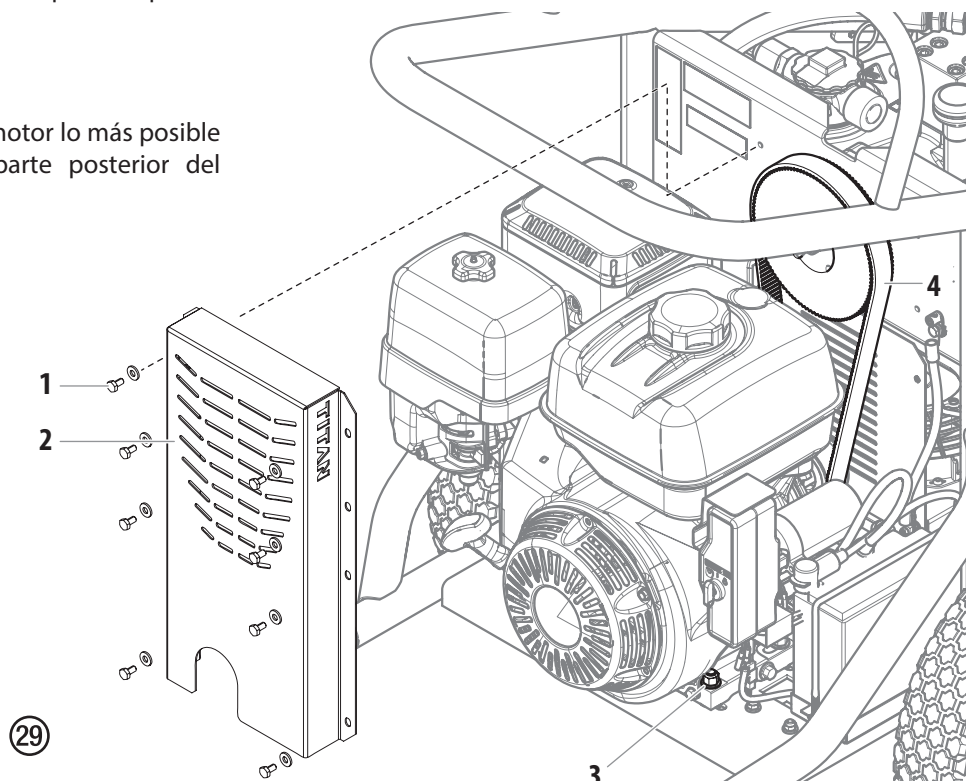
1. Cuando se retire la correa, deslice el motor lo más posible hacia la derecha (visto desde la parte posterior del pulverizador).

2. Coloque la nueva correa sobre la polea superior hasta que la correa encaje en la ranura de la polea. Permita que la correa cuelgue de la polea superior. Con la mano, sostenga la correa en el lugar a aproximadamente la posición de 3:00 en la ranura de la polea inferior.
3. Use la otra mano para hacer girar manualmente la polea superior en el sentido de las agujas del reloj. Permita que la mano que sostiene la correa en la polea inferior siga el movimiento. El movimiento de la polea y la ubicación de su mano sobre la correa en la polea inferior harán que la correa se deslice a su lugar en la polea inferior.



Asegúrese de que la correa no quede atrapada ni torcida de ninguna forma.

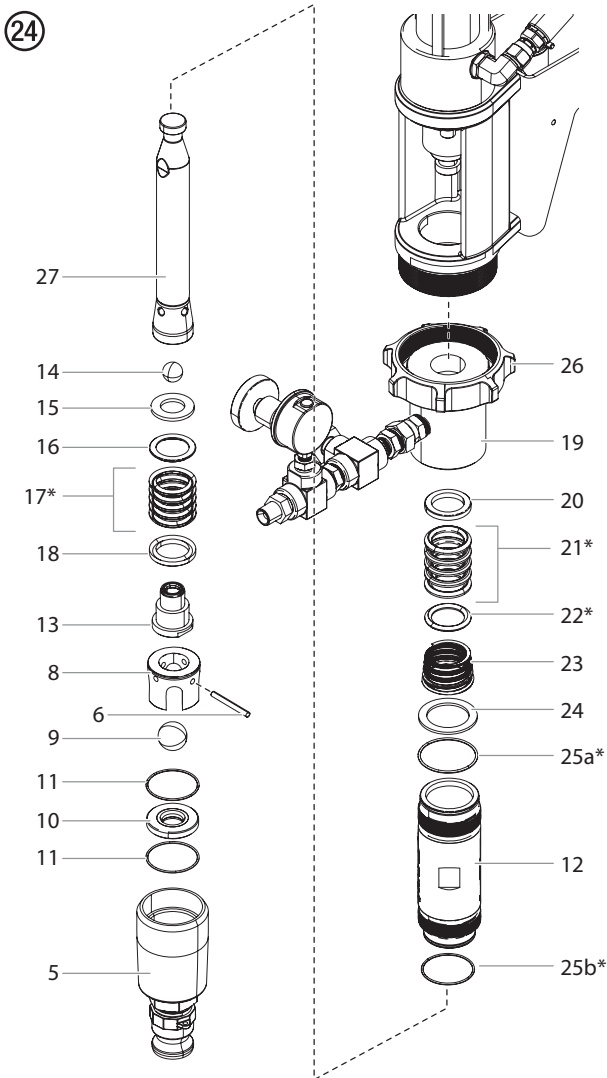
4. Con cuidado, deslice el motor lo más posible hacia la izquierda (visto desde la parte posterior del pulverizador) que permita la tensión de la correa.
5. Apriete los pernos y tuercas (3) que fijan el motor a la placa del motor. Aplique torsión de 245 a 255 lb-pulg.
6. Vuelva a colocar la protección de la correa (2) y fíjela con los seis tornillos (1). Aplique torsión de 165 a 175 lb-pulg.



### 2.3 MANTENIMIENTO DEL SECTOR DEL FLUIDO



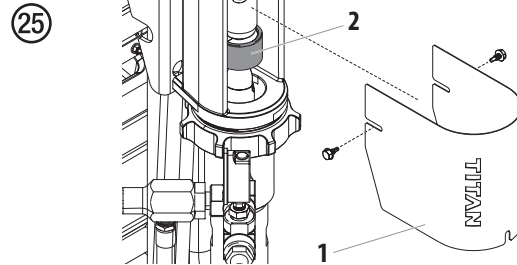
El rendimiento de un 4540 se puede convertir a un 7230 (y viceversa), mediante la compra de un conjunto de conversión (consulte la parte inferior de las tablas de piezas, página 49).



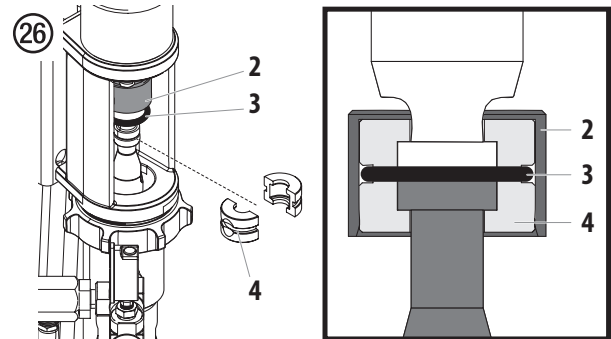
La utilización de piezas que no sean de Titan para el mantenimiento puede anular la garantía. Solicite piezas originales fabricadas por TITAN para un mejor mantenimiento. Debería realizarse un mantenimiento de rutina en esta bomba aproximadamente luego de 1.000 horas de uso. Si la empaquetadura superior pierde demasiado o si una de las carreras de la bomba se hace más rápida que la otra es necesario realizar el mantenimiento antes. Se recomienda la utilización de Titan Piston Lube (P/N 314-480) como lubricante para la empaquetadura superior. No reemplace el lubricante de la empaquetadura superior por aceite, agua o disolvente.

### DESMONTAJE DEL SECTOR DEL FLUIDO

1. Pruebe la bomba antes de desmontarla. Siga el procedimiento de prueba en la Guía de solución de problemas: Sección de líquidos, del Manual de operación para ayudar a determinar la causa y la solución de varios problemas.
2. Retire las tuercas (1) y las arandelas (2) del montante.
3. Retire los tornillos de la cubierta y retire la cubierta (Fig. 25, pos. 1). Ahora debería estar expuesto el manguito del acoplador (2).



4. Empuje el manguito del acoplador hacia arriba. La junta tórica bajo este presentará algo de resistencia. Empuje el manguito del acoplador hacia arriba para exponer la junta tórica.
5. Deslice la junta tórica (fig. 26, pos. 3) hacia arriba, de modo que salga de las dos mitades del acoplamiento (4). Retire las dos mitades del acoplamiento (4).




6. Suelte completamente la contratuerca (fig. 24, pos. 26) y saque todo el conjunto de sección de líquido del motor hidráulico.
7. Desenrosque y retire la válvula de retención (5).
8. Retire la jaula de la bola (8), la bola (9), el asiento de la bola (10) y la junta tórica PTFE (11) de la válvula de retención (5). Retire el pasador de la bola (6) de la jaula de la bola (8).
9. Empuje la biela de desplazamiento (27) tan abajo como pueda. Sáquela de la parte inferior del cilindro (12).
10. Fije las partes planas de la biela de desplazamiento (27) en una prensa. Con una llave, suelte y retire el asiento del pistón (13).
11. Retire la bola (14), el sujetador (15) y el juego de empaquetadura inferior (16 al 18).
12. Coloque el bloque de la bomba (19) boca abajo en una prensa. Con una llave en las partes planas del cilindro (12), desenrosque el cilindro del bloque de la bomba.
13. Retire el juego de empaquetadura superior (20 al 22), el resorte superior (23) y el retén del resorte (24) del bloque de la bomba.
14. Retire las junta tóricas (25a/25b) de las partes superior e inferior del cilindro.
15. Limpie e inspeccione todas las piezas. Inspeccione el cromo de la biela de desplazamiento (27) y del cilindro (12) en busca de ranuras, abolladuras o áreas desgastadas. Reemplácelos si el cromo duro está dañado. Inspeccione la asiento de la válvula (10) y reemplácelos si están agrietados o desgastados. Inspeccione el asiento de la válvula de salida (13) y reemplácelo si está dañado.




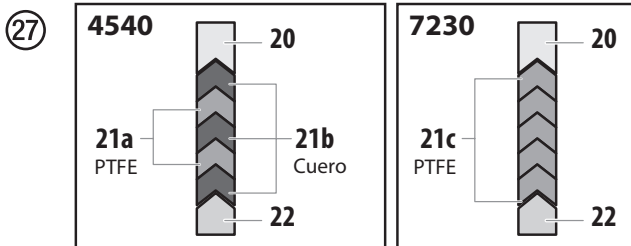
- Use todas las piezas que contiene el kit para reparar la bomba de líquido. En el caso de cualquier otra pieza que no esté incluida en el kit, reemplácelas según sea necesario.

**PROCEDIMIENTO DE REENSAMBLAJE**


	El bloque de la bomba (19) aún debe permanecer fijo boca abajo en una prensa.
---	---

- Sumerja las empaquetaduras de cuero (21b) en aceite hidráulico durante 15 a 20 minutos. Lubrique todas las piezas del juego de empaquetadura superior (20, 21, 22) con aceite hidráulico. Inserte el casquillo hembra (20), las empaquetaduras superiores (21) y el casquillo macho (22) en la parte inferior del bloque de la bomba (19).


	<p><b>Atención</b></p> <p>Como el bloque de la bomba (19) se encuentra boca abajo, el juego de empaquetadura superior se instalará de acuerdo a eso, con la punta de las empaquetaduras en "V" (21) apuntando hacia abajo.</p> <p>Después de la reinstalación y una vez que el bloque de la bomba vuelva a estar en el lado correcto, la punta de las empaquetaduras en "V" apuntará hacia arriba. Consulte la Fig. 27 para ver la orientación final de todas las piezas del juego de empaquetadura superior (20 al 22).</p>
---	--

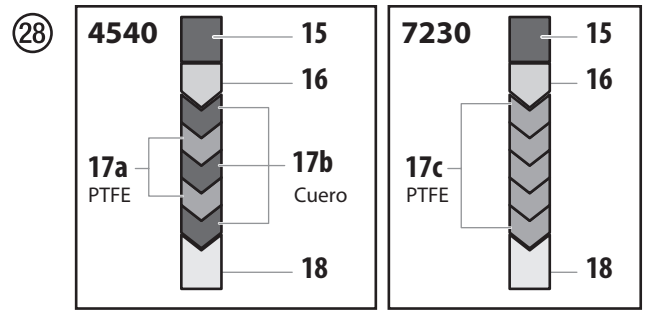


- Inserte el resorte superior (23); el extremo pequeño del resorte debe ir hacia el juego de empaquetadura.
- Inserte el retén del resorte (24).
- Instale las nuevas juntas tóricas (25a/25b) en el cilindro (12).


	Lubrique todas las juntas tóricas antes del montaje (Piston Lube, nº de pieza 314-480).
---	---

- Enrosque el cilindro (12) en el bloque de la bomba (19). Apriete con una llave en las partes planas del cilindro.
- Sumerja las empaquetaduras de cuero (17b) en aceite hidráulico durante 15 a 20 minutos. Lubrique todas las piezas del juego de empaquetadura inferior (15, 16, 17, y 18) con aceite hidráulico. Instálas en el asiento del pistón (13) en el siguiente orden: casquillo (18), juego de empaquetadura inferior (17), casquillo (16) y sujetador (15).


	La punta de las empaquetaduras en "V" (17) debe apuntar hacia abajo al momento del reensamblaje.
---	--



- Vuelva a instalar la bola (14) en el asiento del pistón (13).
- Cubra las roscas hembra de la biela de desplazamiento (27) con el activador adhesivo incluido con el kit de reparación 240713.
- Cubra las roscas macho del asiento del pistón (13) con 4 gotas de Loctite 330 amarillo (incluido con el kit de reparación 240713) y 4 gotas de Loctite 243 azul (426-051).
- Enrosque el asiento del pistón (13) nuevamente en la biela de desplazamiento (27). Apriete entre 74 y 88 N.m.

	El asiento del pistón (13) y la biela de desplazamiento (27) deben curar juntos durante un mínimo de 24 horas antes de permitir que se bombee líquido a través de la sección de fluido.
---	---

- Inserte el conjunto de la biela de desplazamiento (27) a través del juego de empaquetadura superior (20-22) en el bloque de la bomba (19). Tenga cuidado de no rayar las paredes internas del cilindro o bloque de la bomba. Empuje el desplazamiento hasta que su extremo sobresalga de la parte superior del bloque de la bomba (19).
- Retire el cilindro (12) y el bloque de la bomba (19) de la prensa.
- Vuelva a instalar el pasador de la bola (6) en la jaula de la bola (8). El pasador tiene dos posibles posiciones. La ubicación superior permite un mayor recorrido de la pelota, lo que es mejor para materiales más viscosos. La ubicación más baja es para un menor desplazamiento de la pelota y es mejor para materiales menos viscosos.
- Instale la junta tóricas (11 x 2), el asiento de la bola (10), la bola (9), la jaula de la bola (8) y la junta tórica (7) en la válvula de retención (5).
- Enrosque la válvula de retención (5) en el cilindro (12). Apriete a 250 lb-pulg. (+/- 75 lb.-pulg.).

	No es necesario apretar demasiado la válvula de retención y el cilindro en el bloque de la bomba. Los sellos de junta tórica realizan la función de sellado sin apretarlos demasiado. Que las roscas se enganchen completamente es suficiente.
---	--

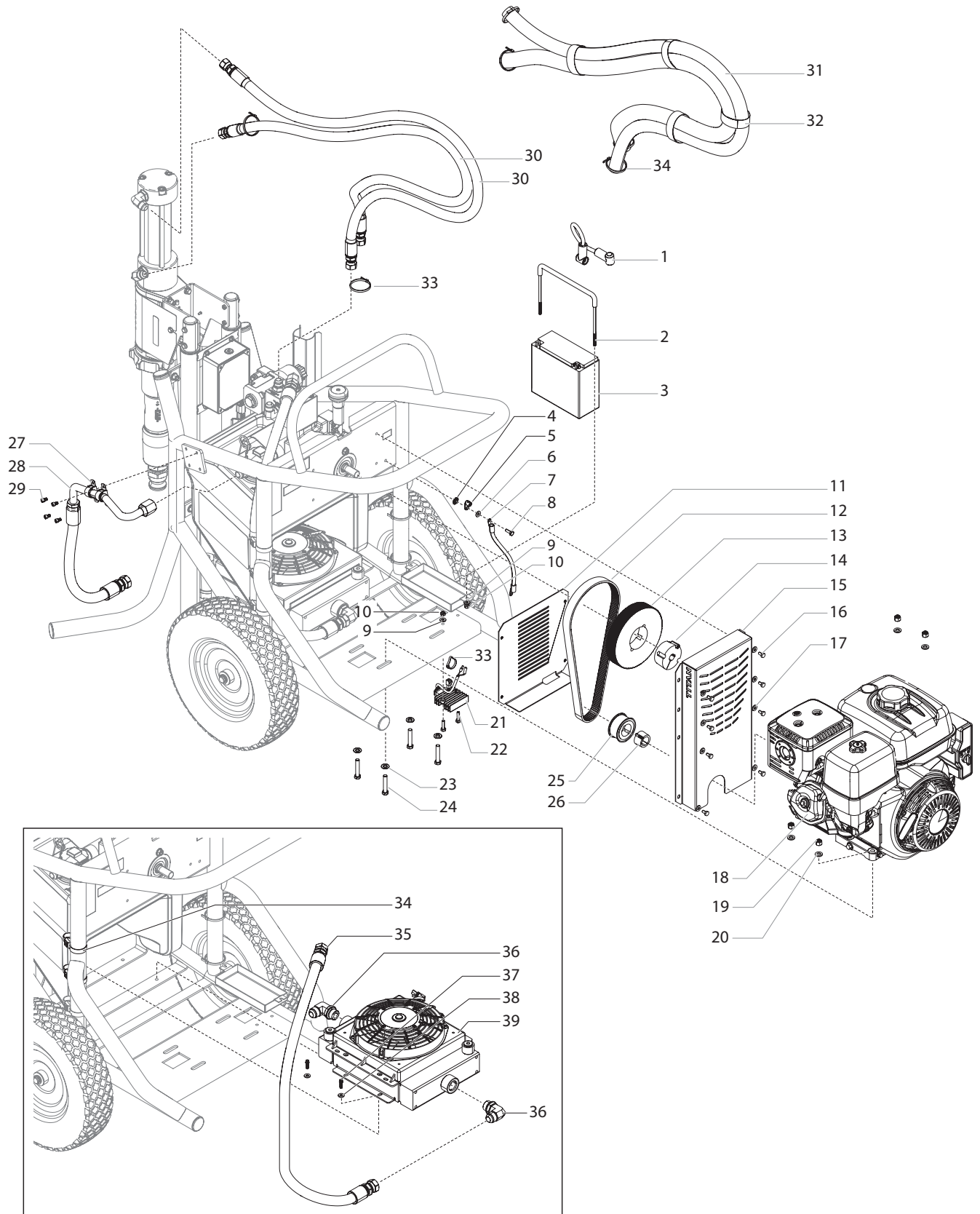
- Vuelva a instalar la bomba de líquido. Alinee la bomba de líquido con la parte inferior del motor hidráulico. Enrosque la contratuerca (26) en el motor hidráulico y apriétela.
- Vuelva a instalar las mitades del acoplamiento (fig. 26, pos. 4).
- Deslice la junta tórica (3) sobre las dos mitades del acoplamiento para fijarlas. Deslice el manguito del acoplador (2) sobre la junta tórica (3).
- Vuelva a colocar la cubierta delantera (1).

CUADRO DE PIEZAS DE RECAMBIO

EN MAIN ASSEMBLY I

ES CONJUNTO PRINCIPAL I

F ENSEMBLE PRINCIPAL I



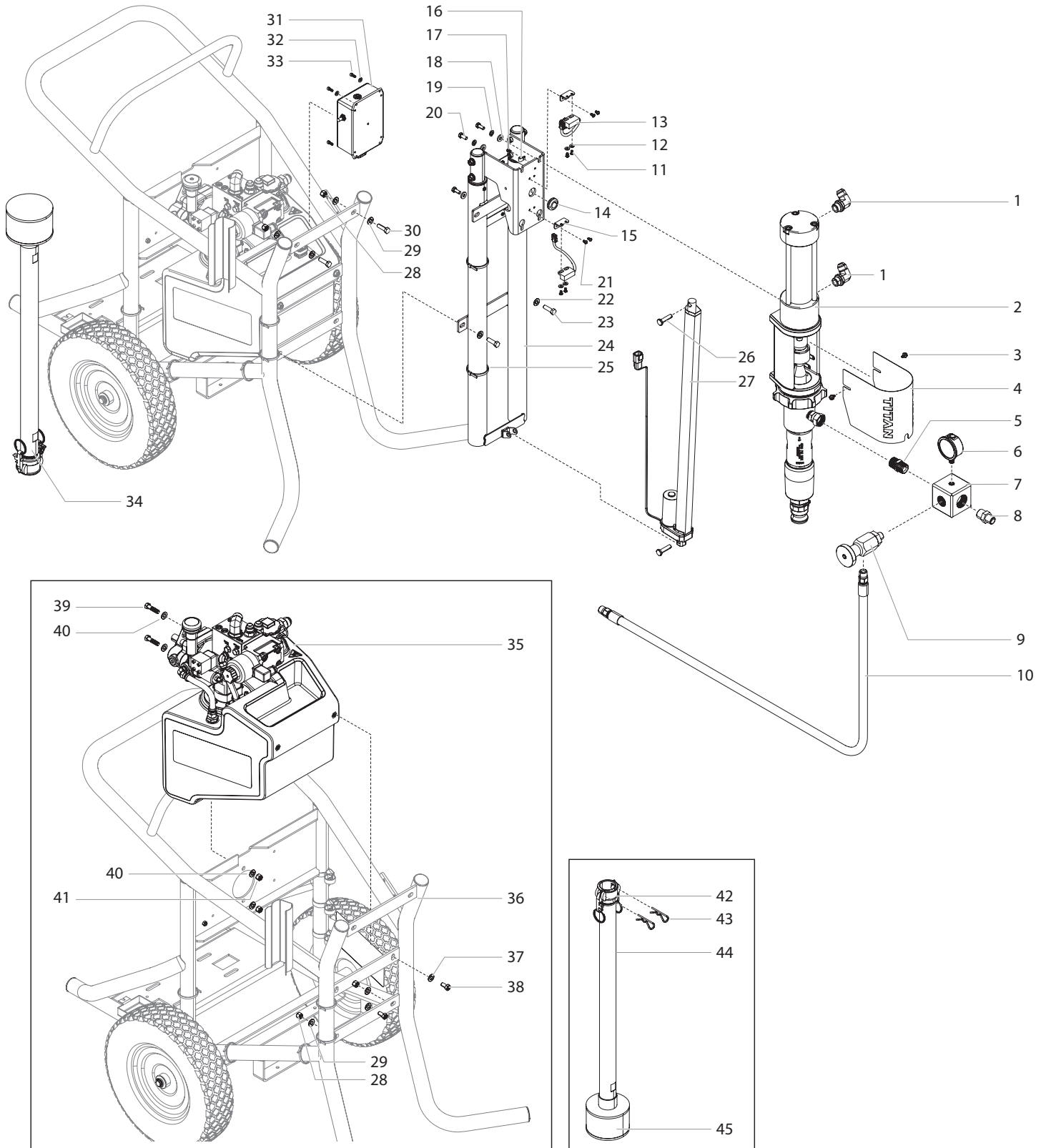
Pos.	Part No.	Description	Description	Denominación
1	2404469	Cable, positive	Câble, positif	Cable, positivo
2	2401601	Battery clamp	Bride de fixation de la batterie	Abrazadera de la batería
3	2401599A	Battery	Batterie	Batería
4	537552	Lock washer, 1/4	Rondelle d'arrêt, 1/4	Arandela de seguridad, 1/4
5	101-205	Grounding lug	Cosse de mise à la terre	Terminal de puesta a tierra
6	858-001	Washer, 1/4, 9/32 x 5/8	Rondelle, 1/4, 9/32 x 5/8	Arandela, 1/4, 9/32 x 5/8
7	2404471	Cable, negative	Câble, négatif	Cable, negativo
8	2409489	Screw, hex head	Vis	Tornillo
9	858-001	Washer (4), 1/4, 9/32 x 5/8	Rondelle (4), 1/4, 9/32 x 5/8	Arandela (4), 1/4, 9/32 x 5/8
10	770-144	Locknut (4), 1/4-20	Écrou d'arrêt (4), 1/4-20	Tuerca de seguridad (4), 1/4-20
11	2401600A	Rear belt guard	Protège-courroie arrière	Protección trasera de la correa
12	2401594	Belt, timing, gas engine	Courroie, "V", moteur essence	Correa "V", motor gasolina
13	2401590A	Pully, pump	Poulie, pompe	Polea, bomba
14	2402882	Bushing and set screws	Bagues et vis de calage	Buje y tornillos de fijación
15	2401698A	Belt guard	Protège-courroie	Protección de la correa
16	2409488	Screw, hex head (8)	Vis (8)	Tornillo (8)
17	858-001	Washer (8)	Rondelle (8)	Arandela (8)
18	980-340A	Engine, gas, GX390, Honda, 50 State (includes item 21)	Moteur, essence GX390 Honda, 50 State (comprends l'article 21)	Motor de gasolina, GX390, Honda, 50 State (incluye el elemento 21)
	2434485A	Engine, gas, GX390, Honda, 49 State (includes item 21)	Moteur, essence GX390 Honda, 49 State (comprends l'article 21)	Motor de gasolina, GX390, Honda, 49 State (incluye el elemento 21)
	2441285A	Engine, gas, CH440, Kohler (includes item 21)	Moteur, essence CH44 Kohler (comprends l'article 21)	Motor de gasolina, CH440, Kohler (incluye el elemento 21)
19	9812333	Nut (4)	Écrou (4)	Tuerca (4)
20	9822642	Washer (4)	Rondelle (4)	Arandela (4)
21	-----	Regulator / harness	Régulateur/faisceau	Regulador / cableado
22	9805456	Screw, hex head (2)	Vis (2)	Tornillo (2)
23	9822642	Washer (4)	Rondelle (4)	Arandela (4)
24	9805477	Screw, hex head (4)	Vis (4)	Tornillo (4)
25	2401596A	Pully, drive	Poulie, bloc-moteur	Polea, transmisión
26	2402779	Bushing and set screws	Bagues et vis de calage	Buje y tornillos de fijación
27	2403384	Clamp (2)	Bride (2)	Abrazadera (2)
28	2403002A	Hose, cooler	Tuyau, dispositif de refroidissement	Manguera, enfriador
29	2417588	Screw, socket head cap (4)	Vis (4)	Tornillo (4)
30	2401956A	Hose (2)	Tuyau (2)	Manguera (2)
31	2420019A	Hose wrap (2)	Gaine de protection pour tuyau (2)	Soporte para enrollar la manguera (2)
32	2424227	Hose and loop straps (4)	Sangles de tuyau et de boucle (4)	Correas de manguera y bucle (4)
33	2403731	Tie wrap (14)	Attache autobloquante (14)	Tie wrap (14)
34	2419422	Dual loop tie (3)	Attache, double boucle (3)	Amarras, lazo doble (3)
35	2401958A	Hose, cooler	Tuyau, dispositif de refroidissement	Manguera, enfriador
36	2401592	Elbow, 90° (2)	Coude, 90° (2)	Codo, 90° (2)
37	2436407	Screw, flanged 12 point (4)	Vis (4)	Tornillo (4)
38	858-001	Washer (4)	Rondelle (4)	Arandela (4)
39	2401591A	Hydraulic cooler	Dispositif de refroidissement hydraulique	Enfriador hidráulico

CUADRO DE PIEZAS DE RECAMBIO

EN MAIN ASSEMBLY II

ES CONJUNTO PRINCIPAL II

F ENSEMBLE PRINCIPAL II



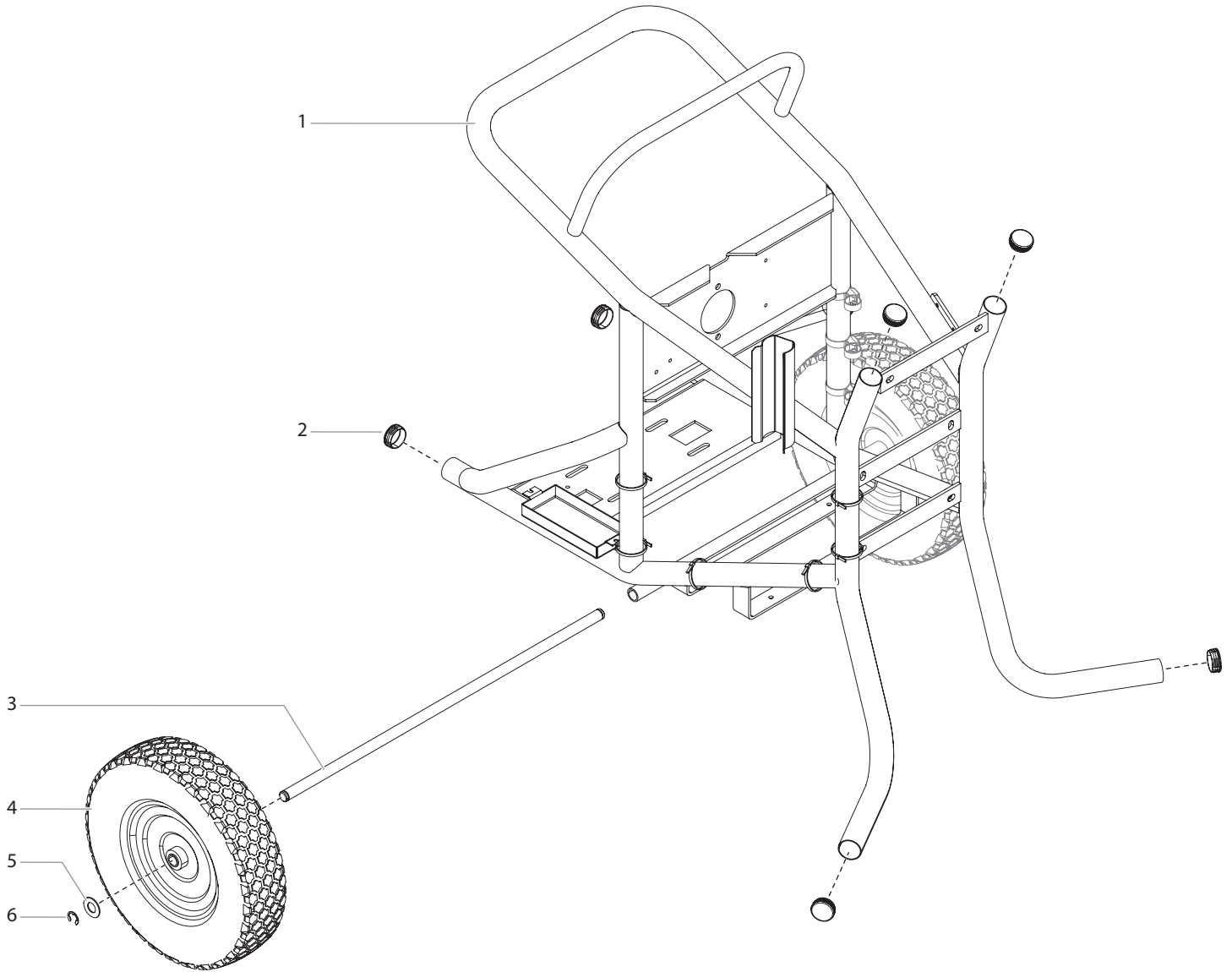
Pos.	4540	7230	Description	Description	Denominación
1	2401717	2401717	Elbow, 90° (2)	Coude, 90° (2)	Codo, 90° (2)
2*	-----	-----	Motor / pump assembly	Bloc moteur/pompe	Conjunto de bomba/motor
3	2403779	2403779	Screw, hex head, self drilling (2)	Vis (2)	Tornillo (2)
4	2401604A	2401604A	Motor pump cover	Couvercle de la motopompe	Tapa de la bomba del motor
5	2402923	2402923	Adapter	Adaptateur	Adaptador
6	2427990	2427990	Pressure gauge	Manomètre	Manometro
7	2354542	2354542	Manifold, outlet	Collecteur, sortie	Colector, salida
8	9885645	9885645	Adapter	Adaptateur	Adaptador
9*	945-600A	945-600A	Bleed valve assembly	Assemblage de la soupape de décharge	Conjunto de válvula de purga
10	2423530	2423530	HP-Hose, Airless, 7500, 1/2 x 5'	Conduit en dérivation	Tubo de derivación
11	2413354	2413354	Screw, button socket head (4)	Vis (4)	Tornillo (4)
12	89595	89595	Washer (4)	Rondelle (4)	Arandela (4)
13	2412847A	2412847A	Sensor assembly (2)	Ensemble du capteur (2)	Conjunto de sensor (2)
14	2417587A	2417587A	Grommet	Oeillet	Ojal
15	2412660A	2412660A	Bracket, sensor (2)	Support pour capteur (2)	Soporte del sensor (2)
16	524930	524930	Clamp, cable	Pince, câble	Abrazadera, cable
17	2411354	2411354	Screw	Vis	Tornillo
18	9822640	9822640	Washer (4)	Rondelle (4)	Arandela (4)
19	860-002	860-002	Lock washer (4)	Rondelle Grower (4)	Arandela de seguridad (4)
20	860-535	860-535	Screw, hex head (4)	Vis (4)	Tornillo (4)
21	2413354	2413354	Screw (4)	Vis (4)	Tornillo (4)
22	509285	509285	Washer (2)	Rondelle (2)	Arandela (2)
23	862-444	862-444	Screw, hex head (2)	Vis (2)	Tornillo (2)
24*	2401652A	2401652A	Telescoping lift assembly	Élévateur télescopique	Conjunto de elevador telescópico
25	2403731	2403731	Tie wrap (2)	Attache autobloquante (2)	Amarras (2)
26	2410172	2410172	Clevis pin (2)	Axe de chape (2)	Pasador de horquilla (2)
27	2401651A	2401651A	Linear actuator	Vérin linéaire	Accionador lineal
28	9812333	9812333	Nut (4)	Écrou (4)	Tuerca (4)
29	509285	509285	Washer (6)	Rondelle (6)	Arandela (6)
30	862-444	862-444	Screw, hex head (2)	Vis (2)	Tornillo (2)
31	2410138A	2410138A	Controller assembly	Ensemble du dispositif de commande	Conjunto de controlador
32	89595	89595	Washer (4)	Rondelle (4)	Arandela (4)
33	9805494	9805494	Screw , socket head cap (4)	Vis (4)	Tornillo (4)
34	2402315A	2402315A	Siphon tube assembly (includes items 42-45)	Ensemble du tube-siphon (comprends les articles 42 à 45)	Conjunto de tubo del sifón (incluye los elementos 42 a 45)
35*	-----	-----	Hydraulic system	Système hydraulique	Sistema hidráulico
36*	-----	-----	Cart assembly	Ensemble de chariot	Conjunto de carro
37	509285	509285	Washer (2)	Rondelle (2)	Arandela (2)
38	862-428	862-428	Screw, hex head (2)	Vis (2)	Tornillo (2)
39	2418430	2418430	Screw, hex head (2)	Vis (2)	Tornillo (2)
40	9822642	9822642	Washer (2)	Rondelle (2)	Arandela (2)
41	9812333	9812333	Nut (2)	Écrou (2)	Tuerca (2)
42	2402316	2402316	Coupler (includes item 43)	Coupleur (comprend le article 43)	Acoplador (incluye le elemento 43)
43	-----	-----	Cotter pin (2)	Agrafe (2)	Sujetador (2)
44	2402314A	2402314A	Suction tube	Tube d'aspiration	Tubo de succión
45	2404794	2404794	Inlet filter	Filtre de entrée	Filtro del entrada

\* See separate listing / voir la liste de pièces distincte / Consulte la lista separada

CUADRO DE PIEZAS DE RECAMBIO

EN CART ASSEMBLY  
F ENSEMBLE DE CHARIOT

ES CARRO



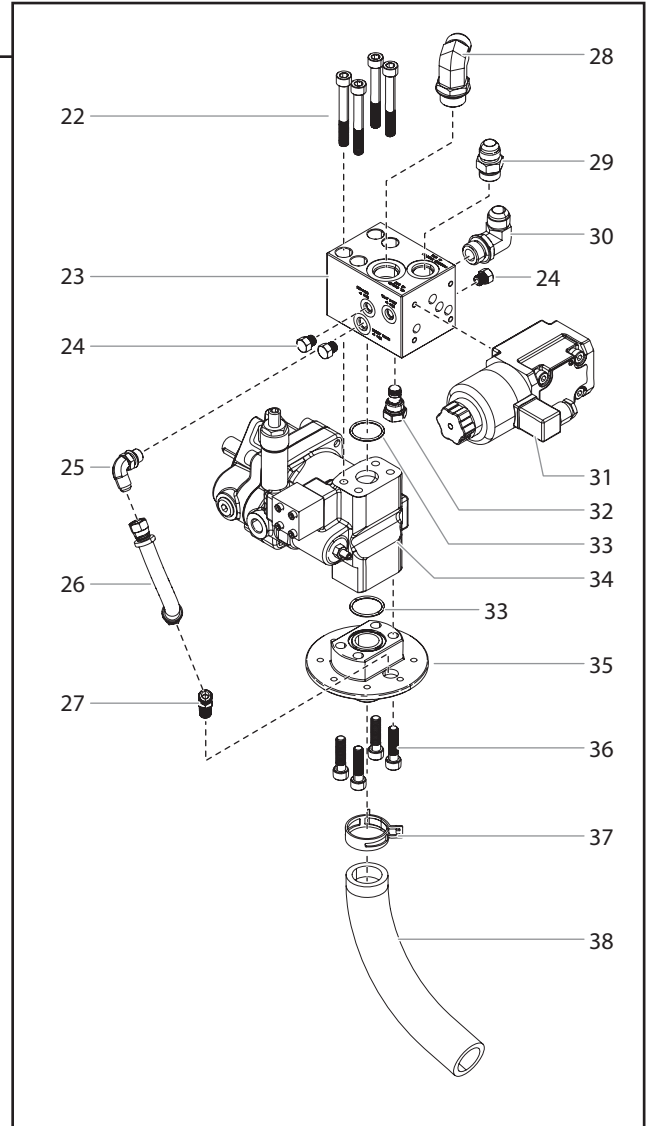
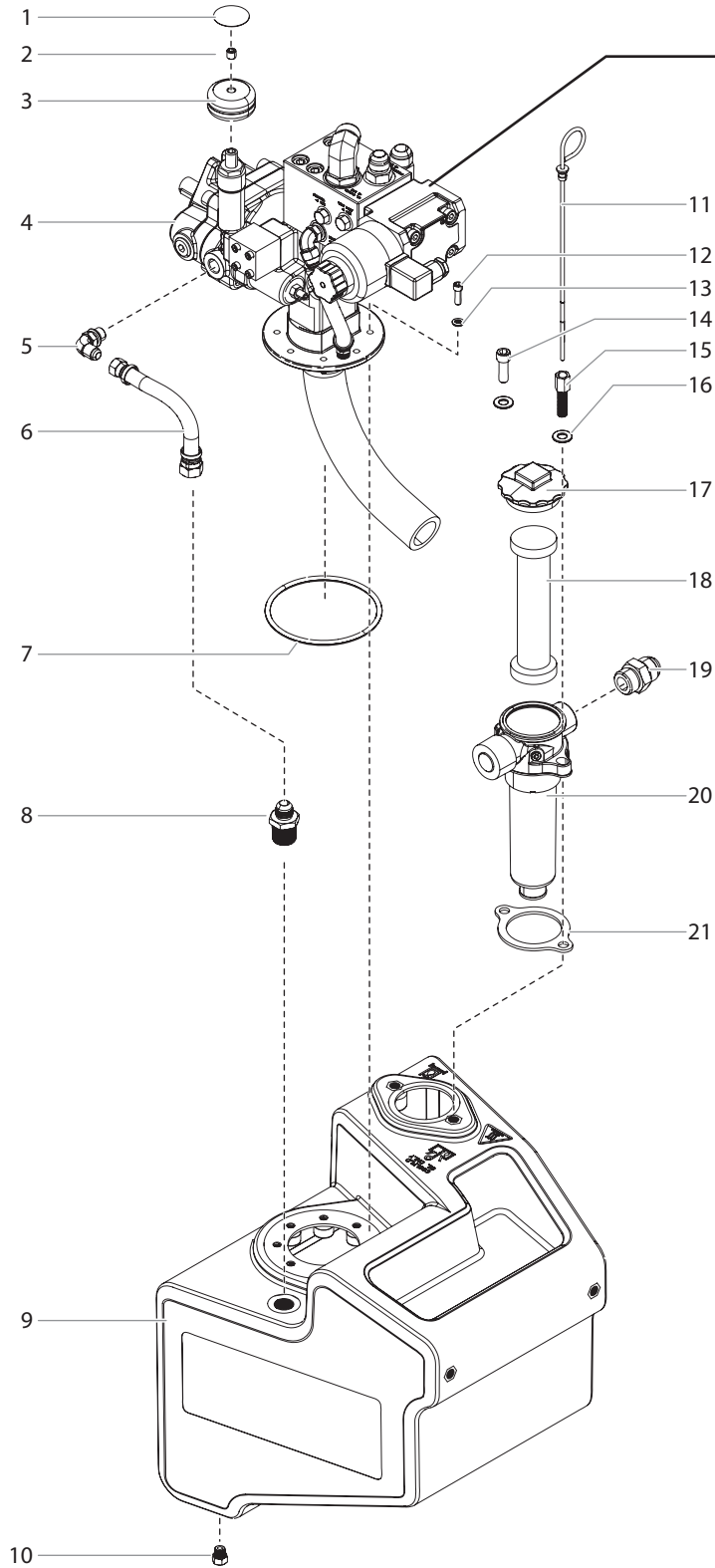


<b>Pos.</b>	<b>Part No.</b>	Description	Description	Denominación
<b>1</b>	2401589A	Frame	Châssis	Bastidor principal del carro
<b>2</b>	2401595	Plug (6)	Fiche (6)	Tapón (6)
<b>3</b>	2401567	Axle	Essieu	Eje
<b>4</b>	670-105	Wheel (2)	Roue (2)	Rueda (2)
<b>5</b>	295687	Washer (2)	Rondelle (2)	Arandela (2)
<b>6</b>	590-100	Retaining ring (2)	Bague de retenue (2)	Anillo de retención (2)
<b>7</b>	2403731	Tie wrap (6)	Attache autobloquante (6)	Amarras (6)

CUADRO DE PIEZAS DE RECAMBIO

EN HYDRAULIC SYSTEM  
 F SYSTÈME HYDRAULIQUE

ES SISTEMA HIDRÁULICO



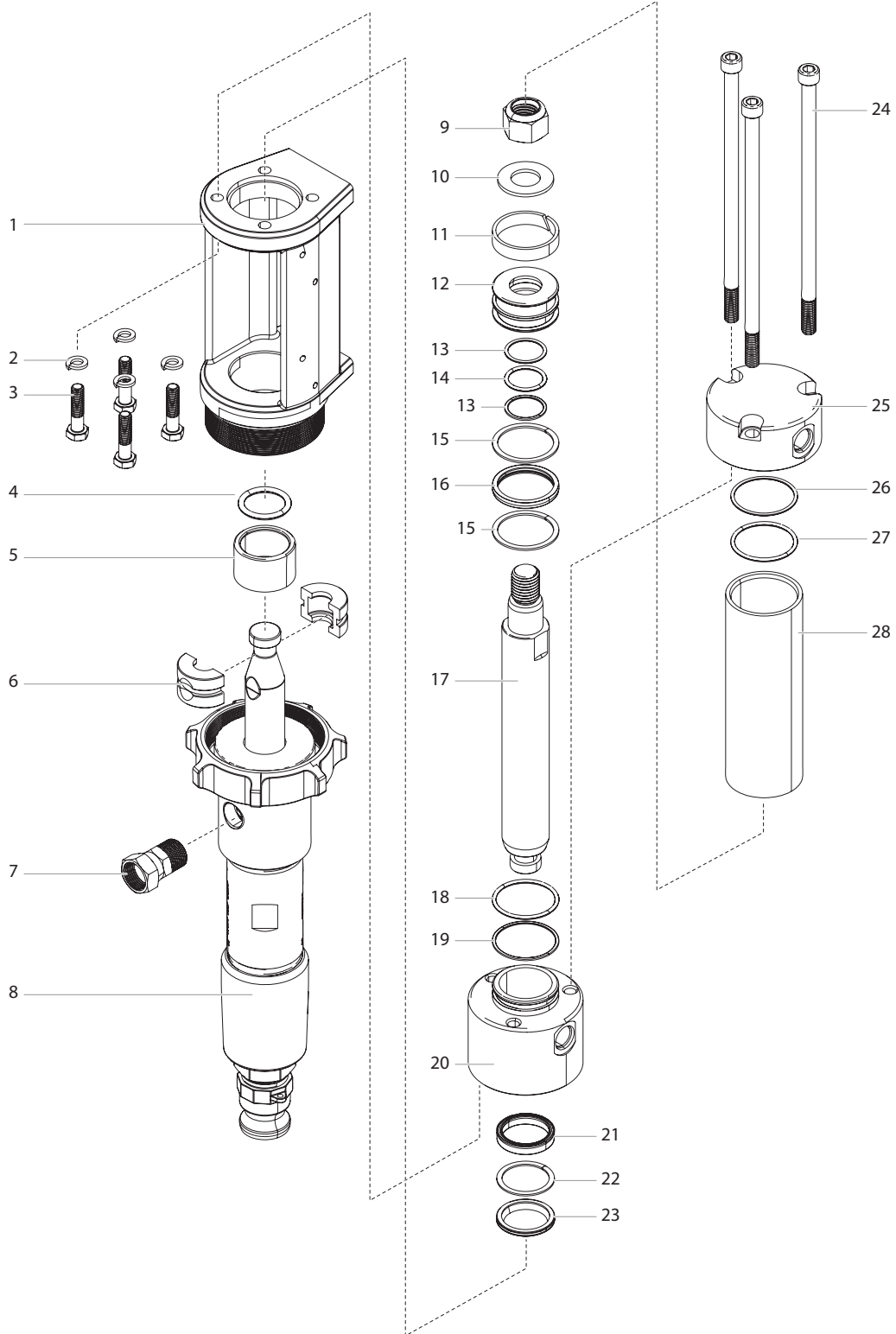
Pos.	Part No.	Description	Description	Denominación
1	313-755	Decal, pressure control	Décalcomanie, commande de pression	Calcomanía, control de presión
2	862-414	Set screw	Vis de blocage	Tornillo de ajuste
3	448-243	Pressure control knob	Bouton de réglage de pression	Perilla de control de presión
4	2401711A	Hydraulic pump and valve assembly (includes items 20-35)	Pompe hydraulique et ensemble de la soupape (comprends les articles 20 à 35)	Conjunto de válvula y bomba hidráulica (incluye los elementos 20 a 35)
5	192-051	Elbow	Coude	Codo
6	2417585A	Hydraulic hose	Tuyau de hydraulique	Manguera de hidráulico
7	2401715	O-ring	Joint torique	Junta tórica
8	2417586	Adapter	Adaptateur	Adaptador
9	2401653A	Hydraulic tank	Réservoir d'huile hydraulique	Depósito hidráulico
10	9885668	Plug	Vis bouchon	Tapón
11	2412951	Hydraulic fluid dipstick	Jauge de niveau	Tapón/varilla de medición de fluido hidráulico
12	9800319	Screw, socket head cap (8)	Vis (8)	Tornillo (8)
13	859-001	Seal washer (8)	Rondelle (8)	Arandela (8)
14	2405356	Screw, socket head cap	Vis	Tornillo
15	-----	Hydraulic fluid dipstick screw	Vis de la jauge de fluide hydraulique	Tornillo de la varilla de nivel de líquido hidráulico
16	509285	Washer (2)	Rondelle (2)	Arandela (2)
17	-----	Filter breather cap	Couvercle de reniflard du filtre	Tapa de respiradero del filtro
18	2412949	Filter element	Filtre	Filtro
19	2403020	Adapter	Adaptateur	Adaptador
20	2401654A	Filter breather assembly (includes items 11 and 15-18)	Ensemble du reniflard du filtre (comprends les articles 11 et 15 à 18)	Conjunto de respiradero del filtro (incluye los elementos 11, 15-18)
21	2407453	Gasket, filter	Joint, filtre	Junta, filtro
22	2401762	Screw (4)	Vis (4)	Tornillo (4)
23	2401709A	Solenoid valve block	Bloc de la vanne électromagnétique	Bloque de válvula de solenoide
24	9885668	Plug (3)	Vis bouchon (3)	Tapón (3)
25	192-051	Elbow	Coude	Codo
26	2417584A	Hydraulic hose	Tuyau de hydraulique	Manguera de hidráulico
27	2417589	Adapter	Adaptateur	Adaptador
28	2401592	Elbow	Coude	Codo
29	2401718	Fitting	Raccord	Conector
30	2401717	Elbow	Coude	Codo
31	2401760A	Solenoid assembly	Ensemble du solénoïde	Conjunto de solenoide
32	2409671A	Check valve	Clapet anti-retour	Válvula de retención
33	2401712	O-ring (2)	Joint torique (2)	Junta tórica (2)
34	2401714A	Hydraulic pump	Pompe hydraulique	Bomba hidráulica
35	2401708A	Tank adapter plate	Entretoise du réservoir	Placa del adaptador del depósito
36	2401713	Screw, socket head cap (4)	Vis (4)	Tornillo (4)
37	2403737	Clamp	Agrafe	Abrazadera
38	2401710	Hydraulic suction hose	Tuyau d'aspiration hydraulique	Manguera de succión hidráulica
	990-050	Hydraulic pump test kit	Trousse de test de pompe hydraulique	Juego de prueba de bomba hidráulica

CUADRO DE PIEZAS DE RECAMBIO

EN MOTOR / PUMP ASSEMBLY

ES CONJUNTO DE MOTOR / BOMBA

F ENSEMBLE MOTEUR/ POMPE



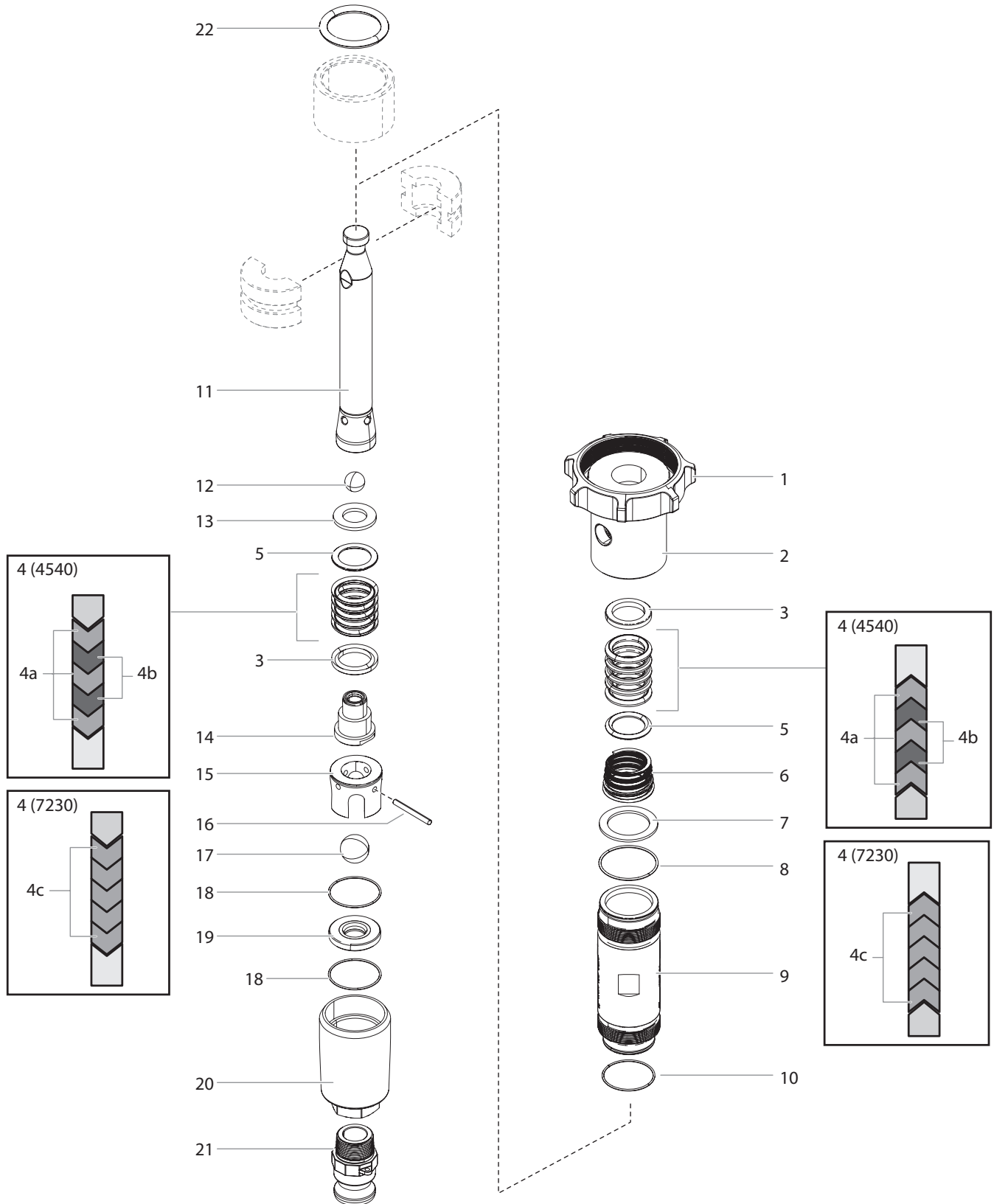
Pos.	4540	7230	Description	Description	Denominación
1	2401636A	2401636A	Pump block	Groupe de pompage	Bloque de la bomba
2	2404410	2404410	Lock washer (4)	Rondelle Grower (4)	Arandela de seguridad (4)
3	2411982	2411982	Screw, hex head (4)	Vis (4)	Tornillo (4)
4	2409738	2409738	Piston coupler O-ring	Joint torique	Junta tórica
5	2401628	2401628	Piston coupler sleeve	Coupleur du piston	Acoplador de pistón
6	2401631	2401631	Coupler half (2)	Moitié du coupleur (2)	Mitad del acoplador (2)
7	533857	533857	Swivel adapter	Adaptateur de pivot	Adaptador de giratoria
8*	2401635A	2403440A	Fluid section assembly	Ensemble de la section des liquides	Conjunto de sección de líquido
9	2401625	2401625	Locknut	Écrou d'arrêt	Tuerca de seguridad
10	2401624	2401624	Washer	Rondelle	Arandela
11	2401618A	2401618A	Wear ring	Bague d'usure	Anillo de desgaste
12	2401613A	2401613A	Piston head	Tête de piston	Cabezal del pistón
13	2401623	2401623	Backup ring (2)	Bague d'appui (2)	Anillo de soporte (2)
14	2401620	2401620	O-ring	Joint torique	Junta tórica
15	2403514	2403514	Backup ring (2)	Bague d'appui (2)	Anillo de soporte (2)
16	2401614A	2401614A	Seal	Joint d'étanchéité	Sello
17	2401610A	2401610A	Hydraulic piston	Piston hydraulique	Pistón hidráulico
18	2401619	2401619	O-ring	Joint torique	Junta tórica
19	2401622	2401622	Backup ring	Bague d'appui	Anillo de soporte
20	2401611A	2401611A	Rod seal block	Bloc du joint de tige	Bloque de junta de la biela
21	2401616A	2401616A	Rod seal	Joint de tige	Junta de la biela
22	2403535	2403535	Backup ring	Bague d'appui	Anillo de soporte
23	2401617A	2401617A	Rod wiper	Coussin poreux	Limpiador de la biela
24	2401621	2401621	Screw, socket head cap (3)	Vis (3)	Tornillo (3)
25	2401612A	2401612A	Cylinder cap	Tête du cylindre	Culata de cilindro
26	2401622	2401622	Backup ring	Bague d'appui	Anillo de soporte
27	2401619	2401619	O-ring	Joint torique	Junta tórica
28	2401659A	2401659A	Cylinder	Cylindre	Cilindro
	2413196	2413196	Hydraulic motor repair kit (includes items 4, 9, 11, 13-16, 18-19, 21-23 and 26-27)	Trousse de réparation du moteur hydraulique (comprends les articles 4, 9, 11, 13-16, 18-19, 21-23 et 26-27)	Kit de reparación del motor hidráulico (incluye los elementos 4, 9, 11, 13 a 16, 18, 19, 21 a 23, 26 y 27)
	2412892	2412892	Piston assembly (Includes items 9-17)	Ensemble du piston (comprends les articles 9 à 17)	Conjunto de pistón (incluye los elementos 9 a 17)

\* See separate listing / voir la liste de pièces distincte / Consulte la lista separada

CUADRO DE PIEZAS DE RECAMBIO

EN FLUID SECTION  
F SECTION DES LIQUIDES

ES SECTOR DE FLUIDO





Pos.	4540	7230	Description	Description	Denominación
1	2401630A	2401630A	Fluid section nut	Écrou de la section des liquides	Tuerca de la sección de líquido
2	2401634A	2403445A	Fluid section adapter	Adaptateur de la section des liquides	Adaptador de la sección de líquido
3	533650	2417267A	Gland, female (2)	Fouloir, femelle (2)	Casquillo hembra (2)
4a	533651	-----	Packing, PTFE (6)	Garniture, PTFE (6)	Empaquetadura, PTFE (6)
4b	533652	-----	Packing, leather (4)	Garniture, cuir (4)	Empaquetadura, cuero (4)
4c	-----	533663	Packing, PTFE (10)	Garniture, PTFE (10)	Empaquetadura, PTFE (10)
5	533653	533665	Gland, male (2)	Fouloir, mâle (2)	Casquillo macho (2)
6	533674	533697	Upper packing spring	Ressort de garniture supérieure	Muelle de las empaquetaduras superiores
7	533675	533698	Gasket	Joint d'étanchéité	Empaquetadura
8	533654	533660	O-ring, PTFE	Joint torique, PTFE	Junta tórica, PTFE
9	2413253A	2413250A	Pump cylinder	Cylindre	Cilindro de la bomba
10	533655	533661	O-ring, PTFE	Joint torique, PTFE	Junta tórica, PTFE
11	2401633A	2403446A	Piston	Piston	Pistón
12	211-129	51519	Outlet valve ball	Bille	Bola de la válvula de salida
13	533678	533941	Retainer	Disque de retenue	Sujetador
14	533679	533942	Outlet valve housing	Corps du clapet de refoulement	Alojamiento de la válvula de salida
15	533680	533692	Foot valve cage	Guide de bille	Jaula de la válvula de aspiración
16	533681	533693	Pin	Goupille	Pasador
17	315-700	315-700	Foot valve ball	Bille	Bola de la válvula de aspiración
18	533655	533661	O-ring, PTFE (2)	Joint torique, PTFE (2)	Junta tórica, PTFE (2)
19	533683	533694	Foot valve seat	Siège	Asiento de la válvula de aspiración
20	2401632A	2403441A	Foot valve housing	Logement du clapet de pied	Alojamiento de la válvula de aspiración
21	2401629	2401629	Suction tube coupling	Accouplement du tube d'aspiration	Acoplamiento del tubo de aspiración
22	2409738	2409738	Piston coupler O-ring	Joint torique	Junta tórica
	2414180	2414181	Fluid section service kit, major (includes items 9, 11, and fluid section service kit, minor)	Kit de maintenance de la section des liquides, principal (inclut les éléments 9, 11, et le kit de maintenance de la section des fluides, mineur)	Kit de reparación mayor del sector del fluido (incluye los artículos 9, 11, y el kit de reparación menor del sector del fluido)
	2414183	2414182	Fluid section service kit, minor (includes items 3-5, 7-8, 10, 12, 17-18, 22, Loctite P/N 426-051 and Loctite P/N 2420713)	Kit de maintenance de la section des liquides, mineur (inclut les éléments 3-5, 7-8, 10, 12, 17-18, 22, Loctite n° de pièce 426-051 et Loctite n° de pièce 2420713)	Kit de reparación menor del sector del fluido (incluye los artículos 3-5, 7-8, 10, 12, 17-18, 22, Loctite P/N 426-051, y Loctite P/N 2420713)
	-----	2420803	Fluid section service kit, minor, leather, (includes gland, female P/N 533662, items 4b (qty. 6), 4c (qty. 4) 5, 7-8, 10, 12, 17-18, 22, Loctite P/N 426-051 and Loctite P/N 2420713) This kit is a conversion kit from PTFE only to leather/PTFE	Kit de maintenance de la section des liquides, mineur, cuir (inclut le fouloir, femelle n° de pièce 533662, et les éléments 3, 4b (qté. 6), 4c (qté. 4) (5, 7-8, 10, 12, 17-18, 22, Loctite n° de pièce 426-05 et Loctite n° de pièce 2420713) Ce lot est un lot de conversion de PTFE uniquement en cuir/PTFE	Kit de reparación menor del sector del fluido, cuero (incluye incluye le casquillo hembra P/N 533662 y los artículos 3, 4b (cant. 6), 4c (cant. 4) 5, 7-8, 10, 12, 17-18, 22, Loctite P/N 426-051, y Loctite P/N 2420713) Este kit es un kit de conversión solo de PTFE a cuero/PTFE
	2420804	-----	Fluid section service kit, minor, PTFE, (includes gland, female P/N 2417266, and items 4a (qty. 10), 5, 7-8, 10, 12, 17-18, 22, Loctite P/N 426-051 and Loctite P/N 2420713) This kit is a conversion kit from leather/PTFE to PTFE only	Kit de maintenance de la section des liquides, mineur, PTFE (inclut le fouloir, femelle n° de pièce 2417266, et les éléments, 4a (qté. 10), 5, 7-8, 10, 12, 17-18, 22, Loctite n° de pièce 426-05 et Loctite n° de pièce 2420713) Ce lot est un lot de conversion du cuir/PTFE au PTFE uniquement	Kit de reparación menor del sector del fluido, PTFE (incluye le casquillo hembra P/N 2417266 y los artículos 3, 4a (cant. 10), 5, 7-8, 10, 12, 17-18, 22, Loctite P/N 426-051, y Loctite P/N 2420713) Este kit es un kit de conversión de cuero/PTFE a solo PTFE
	2414186	2414187	Foot valve assembly (includes items 15-20)	Clapet de pied (inclut les éléments 15-20)	Conjunto de válvula de aspiración (incluye los artículos 15-20)
	2414184	2414185	Outlet valve assembly (includes items 12-14, Loctite P/N 426-051 and Loctite P/N 2420713)	Soupape de sortie (inclut les éléments 12-14, Loctite n° de pièce 426-051 et Loctite n° de pièce 2420713)	Conjunto de válvula de salida (incluye los artículos 12-14, Loctite P/N 426-051, y Loctite P/N 2420713)
	2424618	-----	4540 to 7230 fluid section conversion kit (includes items 1 and 21, P/Ns 533857, 2402923, 2434542, 2427990, 945-600, and 2423530)	Lot de conversion de section de fluide 4540 à 7230 (comprend les éléments 1 et 21, P/ Ns 533857, 2402923, 2434542, 2427990, 945-600, et 2423530).	Kit de conversión de la sección de líquido de 4540 a 7230 (incluye los elementos 1 y 21, N/P 533857, 2402923, 2434542, 2427990, 945-600, y 2423530)
	-----	2432905	7230 to 4540 fluid section conversion kit (includes items 1 and 21, P/Ns 533857, 2402923, 2434542, 2427990, 945-600, and 2423530)	Lot de conversion de section de fluide 7230 à 4540 (comprend les éléments 1 et 21, P/ Ns 533857, 2402923, 2434542, 2427990, 945-600, et 2423530).	Kit de conversión de la sección de líquido de 7230 a 4540 (incluye los elementos 1 y 21, N/P 533857, 2402923, 2434542, 2427990, 945-600, y 2423530)

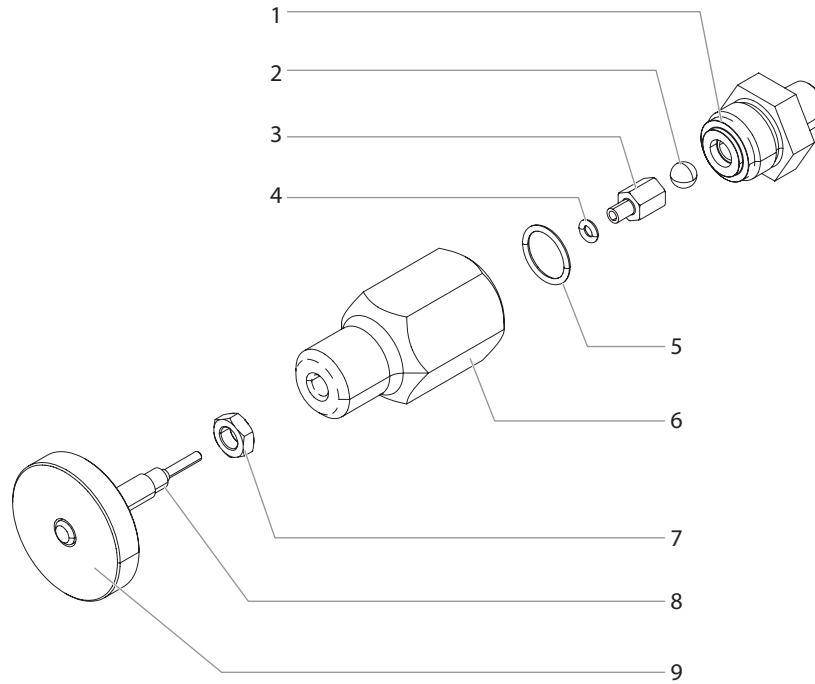
CUADRO DE PIEZAS DE RECAMBIO

EN BLEED VALVE ASSEMBLY

ES CONJUNTO DE VÁLVULA DE PURGA

F ASSEMBLAGE DE LA SOUPAPE DE DÉCHARGE

945-600A

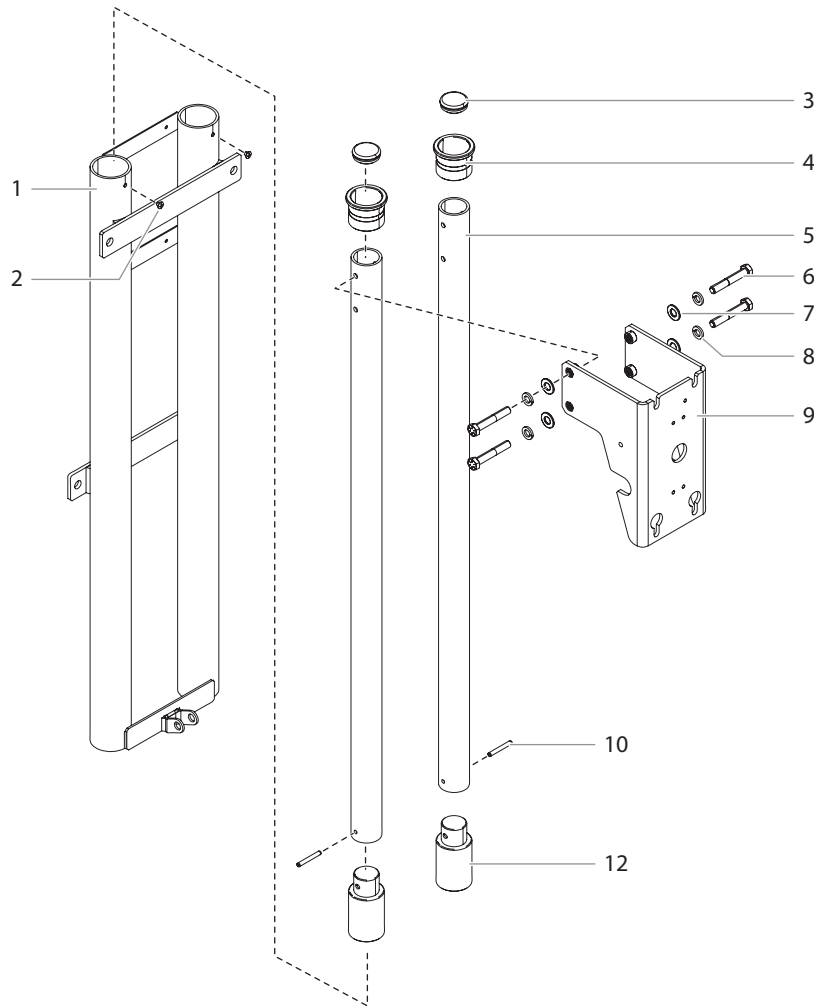


Pos.	Part No.	Description	Description	Denominación
1	945-906	Valve seat	Siège de soupape	Asiento de válvula
2	138-226	Ball	Bille	Bola
3	945-026	Valve stem stop	Butoir de la tige de manoeuvre	Tope del vástago de la válvula
4	891-073	O-ring, PTFE	Joint torique, PTFE	Junta tórica de PTFE
5	891-183	O-ring, PTFE	Joint torique, PTFE	Junta tórica de PTFE
6	945-022	Valve housing	Logement de la soupape	Alojamiento de la válvula
7	970-011	Locknut	Écrou d'arrêt	Tuerca de seguridad
8	945-023	Valve stem	Tige de soupape	Vástago de válvula
9	945-005	Knob	Bouton	Perilla

EN TELESCOPING LIFT ASSEMBLY

ES CONJUNTO DE ELEVADOR TELESCÓPICO

F ÉLÉVATEUR TÉLESCOPIQUE

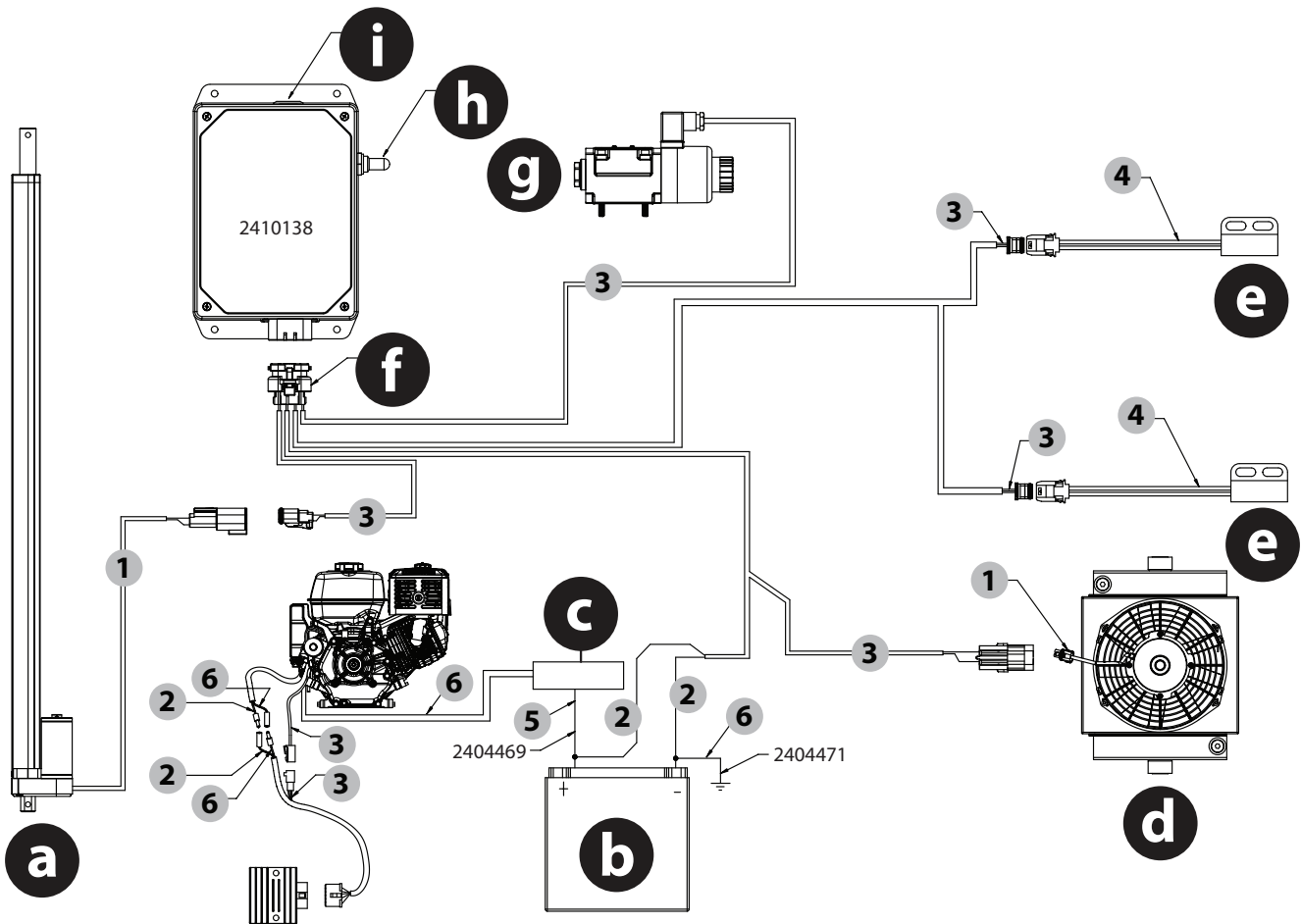


Pos.	Part No.	Description	Description	Denominación
1	2401640A	Lift weldment	Assemblage soudé de l'élévateur	Conjunto soldado de elevador
2	2409642	Screw, phillips pan head (2)	Vis (2)	Tornillo (2)
3	2401646	Plug (2)	Bouchon (2)	Tapón (2)
4	2401641	Bushing (2)	Bague (2)	Buje (2)
5	2401642	Telescoping inner tube (2)	Tube interne télescopique (2)	Tubo interior telescópico (2)
6	862-472	Screw, hex head (4)	Vis (4)	Tornillo (4)
7	509285	Washer (4)	Scheibe (4)	Rondelle (4)
8	509292	Lock washer (4)	Rondelle Grower (4)	Arandela de seguridad (4)
9	2409873A	Pump mount assembly	Support de la pompe	Conjunto de soporte de la bomba
10	2401648	Pin, spring, .187 (2)	Goupille de ressort, 0,187 (2)	Pasador de resorte, 0,187 (2)
11	2401644	Plug guide (2)	Guide du bouchon (2)	Guía de tapón (2)

CUADRO DE PIEZAS DE RECAMBIO

EN CONNECTION DIAGRAM  
F SCHÉMA ÉLECTRIQUE

ES ESQUEMA ELÉCTRICO



Wiring	Câbles	Cableado	
1	Red/Black	Rouge / Noir	Rojo / Negro
2	White	Blanc	Blanco
3	White / White	Blanc / blanc	Blanco / Blanco
4	Black / Black	Noir / Noir	Negro / Negro
5	Red	Rouge	Rojo
6	Black	Noir	Negro

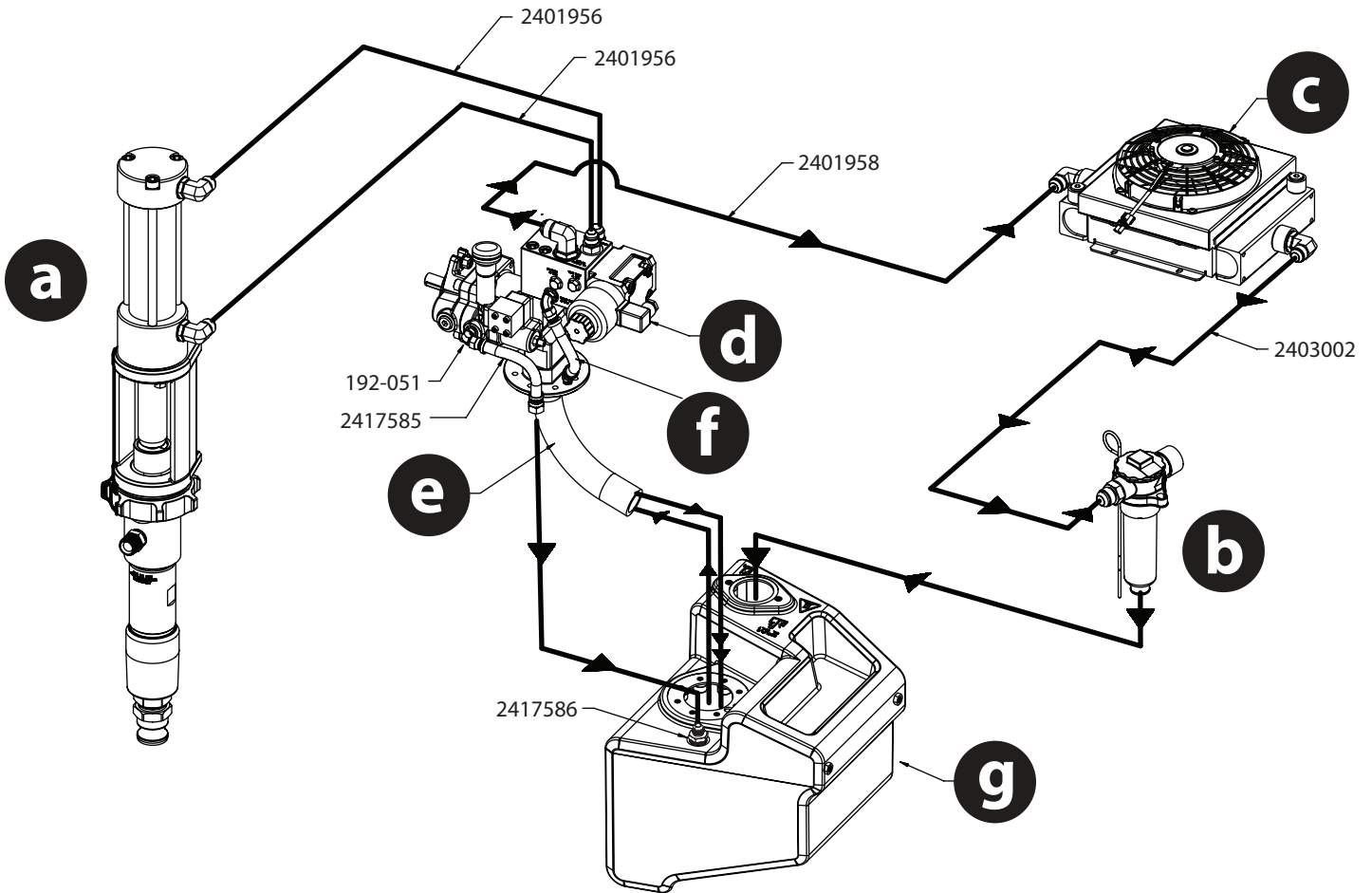
Part #	Notes	Remarques	Notas	
a	2401651A	Lift motor	Moteur de l'élévateur	Motor del elevador
b	2401599A	Battery	Batterie	Batería
c	-----	Engine starter switch	Interrupteur de démarrage du moteur	Interruptor del arrancador del motor
d	2401591A	Cooler fan	Ventilateur du dispositif de refroidissement	Ventilador del enfriador
e	2412847A	Sensor (2)	Capteur (2)	Sensor (2)
f	2410238A	Wire harness	Faisceau de câbles	Cableado
g	2401760A	Solenoid valve	Vanne électromagnétique	Válvula de solenoide
h	2410419A*	Toggle switch	Interrupteur à bascule	Interruptor de palanca
i	2410420A*	ON/OFF switch	Interrupteur	Interruptor

\* Included with 2410138 or can be purchased separately / Inclus avec 2410138 ou peut être acheté séparément / Incluido con 2410138 o se puede comprar por separado

EN HYDRAULIC DIAGRAM

ES DIAGRAMA HIDRÁULICO

F DIAGRAMME HYDRAULIQUE



Part #	Notes	Remarques	Notas
a	----- Motor/ pump assembly	Ensemble du moteur/de la pompe	Conjunto de motor y bomba
b	2401654A Filter breather assembly	Ensemble du reniflard du filtre	Conjunto de respiradero del filtro
c	2401591A Cooler fan	Ventilateur du dispositif de refroidissement	Ventilador del enfriador
d	2401711A Hydraulic pump	Pompe hydraulique	Bomba hidráulica
e	2401710 Pump suction hose	Tuyau d'aspiration	Manguera de succión
f	2417584A Relief hose	Tuyau de décharge	Manguera de alivio
g	2401653A Hydraulic tank	Réservoir de fluide hydraulique	Tanque hidráulico

## EN ACCESSORIES

## ES ACCESORIOS

## F ACCESSOIRES

PART NO.	DESCRIPTION	DESCRIPTION	DESCRIPCIÓN
<b>SPRAY GUNS</b>		<b>PISTOLETS DE PULVÉRISATION</b>	<b>PISTOLAS PULVERIZADORAS</b>
538070*	RX-Apex™	Pistolet de pulvérisation RX-Apex™	Pistola pulverizadora RX-Apex™
550-270	S-7 spray gun	Pistolet de pulvérisation S-7	Pistola pulverizadora S-7
<b>SPRAY TIPS AND ACCESSORIES</b>		<b>BUSES D'AIR ET ACCESSOIRES</b>	<b>BOQUILLAS DE PULVERIZACIÓN Y ACCESORIOS</b>
696-XXX**	HP Spray Tip	Buse HP	Boquilla HP
661-027	HP Tip Guard	Protecteur de buse HP	Protección de la boquilla HP
661-020	Tip seat and seal kit (5 pack)	Siège de buse et trousse d'étanchéité (ens. de 5)	Kit de boquillas con asiento y sello (paq. de 5)
<b>FILTERS</b>		<b>FILTRES</b>	<b>FILTROS</b>
0089957	Coarse Mesh Filter (Green)	Filtre de maille grossier (vert)	Filtro de malla gruesa (verde)
0089958	Medium Mesh Filter (White)	Filtre de maille moyen (blanc)	Filtro de malla media (blanco)
<b>EXTENSIONS</b>		<b>RALLONGES</b>	<b>EXTENSIONES</b>
611-280	6" Tip Extension	Rallonge de buse de 15 cm	Extensión de boquilla de 15 cm
611-281	12" Tip Extension	Rallonge de buse de 30 cm	Extensión de boquilla de 30 cm
611-282	18" Tip Extension	Rallonge de buse de 45 cm	Extensión de boquilla de 45 cm
611-283	24" Tip Extension	Rallonge de buse de 60 cm	Extensión de boquilla de 60 cm
<b>AIRLESS HOSE AND ACCESSORIES</b>		<b>TUYAU SANS AIR ET ACCESSOIRES</b>	<b>MANGUERAS Y ACCESORIOS SIN AIRE</b>
290685*	1/8" x 3' Whip Hose (F/M)	Tuyau sans air de 0,3 cm x 1 m (F/M)	Manguera sin aire de 1/8" x 3" (F/M)
250450003*	1/4" x 3' Whip Hose, 4500 PSI	Tuyau sans air de 0,6 cm x 1 m, 310 bar	Manguera sin aire de 1/4" x 3', 310 bar
250650003*	1/4" x 3' Whip Hose, 6500 PSI	Tuyau sans air de 0,6 cm x 1 m, 448 bar	Manguera sin aire de 1/4" x 3', 448 bar
250750003	1/4" x 3' Whip Hose, 7500 PSI	Tuyau sans air de 0,6 cm x 1 m, 517 bar	Manguera sin aire de 1/4" x 3', 517 bar
250450006*	1/4" x 6' Whip Hose, 4500 PSI	Tuyau sans air de 0,6 cm x 2 m, 310 bar	Manguera sin aire de 1/4" x 6', 310 bar
250650006*	1/4" x 6' Whip Hose, 6500 PSI	Tuyau sans air de 0,6 cm x 2 m, 448 bar	Manguera sin aire de 1/4" x 6', 448 bar
250750006	1/4" x 6' Whip Hose, 7500 PSI	Tuyau sans air de 0,6 cm x 2 m, 517 bar	Manguera sin aire de 1/4" x 6', 517 bar
250450050*	1/4" x 50' Airless Hose, 4500 PSI	Tuyau sans air de 0,6 cm x 15 m, 310 bar	Manguera sin aire de 1/4" x 50', 310 bar
250650050*	1/4" x 50' Airless Hose, 6500 PSI	Tuyau sans air de 0,6 cm x 15 m, 448 bar	Manguera sin aire de 1/4" x 50', 448 bar
250750050	1/4" x 50' Airless Hose, 7500 PSI	Tuyau sans air de 0,6 cm x 15 m, 517 bar	Manguera sin aire de 1/4" x 50', 517 bar
250450010*	1/4" x 100' Airless Hose, 4500 PSI	Tuyau sans air de 0,6 cm x 31 m, 310 bar	Manguera sin aire de 1/4" x 100', 310 bar
250650010*	1/4" x 100' Airless Hose, 6500 PSI	Tuyau sans air de 0,6 cm x 31 m, 448 bar	Manguera sin aire de 1/4" x 100', 448 bar
250750010	1/4" x 100' Airless Hose, 7500 PSI	Tuyau sans air de 0,6 cm x 31 m, 517 bar	Manguera sin aire de 1/4" x 100', 517 bar
375450006*	3/8" x 6' Whip Hose, 4500 PSI	Tuyau sans air de 0,9 cm x 2 m, 310 bar	Manguera sin aire de 3/8" x 6', 310 bar
375650006*	3/8" x 6' Whip Hose, 6500 PSI	Tuyau sans air de 0,9 cm x 2 m, 448 bar	Manguera sin aire de 3/8" x 6', 448 bar
375750006	3/8" x 6' Whip Hose, 7500 PSI	Tuyau sans air de 0,9 cm x 2 m, 517 bar	Manguera sin aire de 3/8" x 6', 517 bar
375450050*	3/8" x 50' Airless Hose, 4500 PSI	Tuyau sans air de 0,9 cm x 15 m, 310 bar	Manguera sin aire de 3/8" x 50', 310 bar
375650050*	3/8" x 50' Airless Hose, 6500 PSI	Tuyau sans air de 0,9 cm x 15 m, 448 bar	Manguera sin aire de 3/8" x 50', 448 bar
375750050	3/8" x 50' Airless Hose, 7500 PSI	Tuyau sans air de 0,9 cm x 15 m, 517 bar	Manguera sin aire de 3/8" x 50', 517 bar
375450010*	3/8" x 100' Airless Hose, 4500 PSI	Tuyau sans air de 0,9 cm x 31 m, 310 bar	Manguera sin aire de 3/8" x 100', 310 bar
375650010*	3/8" x 100' Airless Hose, 6500 PSI	Tuyau sans air de 0,9 cm x 31 m, 448 bar	Manguera sin aire de 3/8" x 100', 448 bar
375750010	3/8" x 100' Airless Hose, 7500 PSI	Tuyau sans air de 0,9 cm x 31 m, 517 bar	Manguera sin aire de 3/8" x 100', 517 bar



<b>PART NO.</b>	<b>DESCRIPTION</b>	<b>DESCRIPTION</b>	<b>DESCRIPCIÓN</b>
500450050*	1/2" x 50' Airless Hose, 4500 PSI	Tuyau sans air de 1,2 cm x 15 m, 310 bar	Manguera sin aire de 1/2" x 50', 310 bar
500650050*	1/2" x 50' Airless Hose, 6500 PSI	Tuyau sans air de 1,2 cm x 15 m, 448 bar	Manguera sin aire de 1/2" x 50', 448 bar
500750050	1/2" x 50' Airless Hose, 7500 PSI	Tuyau sans air de 1,2 cm x 15 m, 517 bar	Manguera sin aire de 1/2" x 50', 517 bar
500450010*	1/2" x 100' Airless Hose, 4500 PSI	Tuyau sans air de 1,2 cm x 31 m, 310 bar	Manguera sin aire de 1/2" x 50', 310 bar
500650010*	1/2" x 100' Airless Hose, 6500 PSI	Tuyau sans air de 1,2 cm x 31 m, 448 bar	Manguera sin aire de 1/2" x 50', 448 bar
500750010	1/2" x 100' Airless Hose, 7500 PSI	Tuyau sans air de 1,2 cm x 31 m, 517 bar	Manguera sin aire de 1/2" x 50', 517 bar
750650050	3/4" x 50' Airless Hose, 6500 PSI	Tuyau sans air de 1,9 cm x 15 m, 448 bar	Manguera sin aire de 3/4" x 50', 448 bar
9885642	1/4" x 1/4" hose connector	Raccord de tuyau de 0,6 cm x 0,6 cm	Conector de manguera de 1/4" x 1/4"
9885643	3/8" x 3/8" hose connector	Raccord de tuyau de 0,9 cm x 0,9 cm	Conector de manguera de 3/8" x 3/8"
9885644	1/2" x 1/4" hose connector	Raccord de tuyau de 1,2 cm x 0,6 cm	Conector de manguera de 1/2" x 1/4"
9885645	3/4" x 1/2" hose connector	Raccord de tuyau de 1,9 cm x 1,2 cm	Conector de manguera de 3/4" x 1/2"
9885646	3/8" x 1/4" hose connector	Raccord de tuyau de 0,9 cm x 0,6 cm	Conector de manguera de 3/8" x 1/4"
9885647	1/2" x 3/8" hose connector	Raccord de tuyau de 1,2 cm x 0,9 cm	Conector de manguera de 1/2" x 3/8"
9885648	1/2" x 1/2" hose connector	Raccord de tuyau de 1,2 cm x 1,2 cm	Conector de manguera de 1/2" x 1/2"
<b>LUBRICANTS AND CLEANERS</b>		<b>LUBRIFIANTS ET NETTOYANTS</b>	<b>LUBRICANTES Y LIMPIADORES</b>
314-482	Liquid Shield™ 1 Quart	Liquid Shield™, 946 ml	Liquid Shield™ 946 ml
314-480	Piston Lube™, 8 oz	Piston Lube™, 240 ml	Piston Lube™, 240 ml
700-926	Piston Lube™, 1 Quart	Piston Lube™, 946 ml	Piston Lube™, 946 ml
297055	Pump Shield™, 12 oz.	Pump Shield™, 355 ml	Pump Shield™, 355 ml.
508071	Paint Mate 1 Quart	Paint Mate, 946 ml	Paint Mate, 946 ml
91-36	Throat seal lubricant	Lubrifiant pour joint	Lubricante para juntas
*	Hydra X 4540 only	Hydra X 4540 seulement	Hydra X 4540 solamente
**	Go to <a href="http://www.titantooll.com">www.titantooll.com</a> for tip sizes	Visitez <a href="http://www.titantooll.com">www.titantooll.com</a> pour la pointe des buse de pulvérisation	visitar <a href="http://www.titantooll.com">www.titantooll.com</a> de tamaño de las boquillas de pulverización

## WARRANTY

Titan Tool, Inc., ("Titan") warrants that at the time of delivery to the original purchaser for use ("End User"), the equipment covered by this warranty is free from defects in material and workmanship. With the exception of any special, limited, or extended warranty published by Titan, Titan's obligation under this warranty is limited to replacing or repairing without charge those parts which, to Titan's reasonable satisfaction, are shown to be defective within twelve (12) months after sale to the End User. This warranty applies only when the unit is installed and operated in accordance with the recommendations and instructions of Titan.

This warranty does not apply in the case of damage or wear caused by abrasion, corrosion or misuse, negligence, accident, faulty installation, substitution of non-Titan component parts, or tampering with the unit in a manner to impair normal operation.

Defective parts are to be returned to an authorized Titan sales/service outlet. All transportation charges, including return to the factory, if necessary, are to be borne and prepaid by the End User. Repaired or replaced equipment will be returned to the End User transportation prepaid.

THERE IS NO OTHER EXPRESS WARRANTY. TITAN HEREBY DISCLAIMS ANY AND ALL IMPLIED WARRANTIES INCLUDING, BUT NOT LIMITED TO, THOSE OF MERCHANTABILITY AND FITNESS FOR A PARTICULAR PURPOSE, TO THE EXTENT PERMITTED BY LAW. THE DURATION OF ANY IMPLIED WARRANTIES WHICH CANNOT BE DISCLAIMED IS LIMITED TO THE TIME PERIOD SPECIFIED IN THE EXPRESS WARRANTY. IN NO CASE SHALL TITAN LIABILITY EXCEED THE AMOUNT OF THE PURCHASE PRICE. LIABILITY FOR CONSEQUENTIAL, INCIDENTAL OR SPECIAL DAMAGES UNDER ANY AND ALL WARRANTIES IS EXCLUDED TO THE EXTENT PERMITTED BY LAW.

TITAN MAKES NO WARRANTY AND DISCLAIMS ALL IMPLIED WARRANTIES OF MERCHANTABILITY AND FITNESS FOR A PARTICULAR PURPOSE WITH RESPECT TO ACCESSORIES, EQUIPMENT, MATERIALS OR COMPONENTS SOLD BUT NOT MANUFACTURED BY TITAN. THOSE ITEMS SOLD, BUT NOT MANUFACTURED BY TITAN (SUCH AS GAS ENGINES, SWITCHES, HOSES, ETC.) ARE SUBJECT TO THE WARRANTY, IF ANY, OF THEIR MANUFACTURER. TITAN WILL PROVIDE THE PURCHASER WITH REASONABLE ASSISTANCE IN MAKING ANY CLAIM FOR BREACH OF THESE WARRANTIES.

## GARANTIE

Titan Tool, Inc. ("Titan") garantit qu'au moment de la livraison à l'acheteur initial ("Utilisateur"), l'appareil couvert par la présente garantie sera exempt de défauts de matériaux et de fabrication. Exception faite de toute garantie particulière ou limitée et de toute extension de garantie publiées par Titan, la responsabilité de celui-ci se limite, en vertu de la présente garantie, au remplacement ou à la réparation sans frais des pièces dont le caractère défectueux aura été démontré de manière satisfaisante pour Titan, dans un délai de douze (12) mois après la date d'achat par l'Utilisateur. Cette garantie ne sera applicable que si l'appareil a été installé et utilisé conformément aux recommandations et directives de Titan.

Cette garantie ne sera pas applicable dans les cas d'endommagement ou d'usure dus à l'abrasion, la corrosion, un mauvais usage, la négligence, un accident, une installation incorrecte, un remplacement par des composants non fournis par Titan ou toute autre intervention non autorisée de nature à nuire au fonctionnement normal de l'appareil.

Les pièces défectueuses devront être envoyées à un centre de service / vente Titan autorisé. Les frais de transport couvrant y compris le retour à l'usine, seront, le cas échéant, prépayés par l'Utilisateur. Après réparation ou remplacement, les pièces seront renvoyées à ce dernier par transport prépayé.

AUCUNE AUTRE GARANTIE EXPRESSE N'EST ACCORDÉE. TITAN REJETTE TOUTE AUTRE GARANTIE IMPLICITE Y COMPRIS, NOTAMMENT, LES GARANTIES DE QUALITÉ MARCHANDE ET DE COMPATIBILITÉ AVEC UN USAGE PARTICULIER, DANS LES LIMITES PERMISES PAR LA LOI.

LA DURÉE DES GARANTIES IMPLICITES NE POUVANT FAIRE L'OBJET D'UNE RENONCIATION SE LIMITE À LA PÉRIODE INDIQUÉE DANS LA GARANTIE EXPRESSE.

LA RESPONSABILITÉ DE TITAN NE SAURAIT EN AUCUN CAS ÊTRE ENGAGÉE POUR UN MONTANT SUPÉRIEUR À CELUI DU PRIX D'ACHAT. TITAN EXCLUT TOUTE RESPONSABILITÉ RELATIVE AUX DOMMAGES INDIRECTS, ACCESSOIRES OU PARTICULIERS, DANS LES LIMITES PRÉVUES PAR LA LOI.

TITAN NE DONNE AUCUNE GARANTIE ET DÉCLINE TOUTE GARANTIE IMPLICITE DE QUALITÉ MARCHANDE ET DE COMPATIBILITÉ AVEC UN USAGE PARTICULIER EN CE QUI CONCERNE LES ACCESSOIRES, L'APPAREIL, LES MATÉRIAUX OU LES COMPOSANTS VENDUS MAIS NON FABRIQUÉS PAR TITAN. CES DERNIERS ÉLÉMENTS, VENDUS MAIS NON FABRIQUÉS PAR TITAN (MOTEURS À ESSENCE, COMMUTATEURS, FLEXIBLES, ETC.), SONT SOUMIS, LE CAS ÉCHÉANT, À LA GARANTIE DU FABRICANT. TITAN S'ENGAGE À PORTER ASSISTANCE AUX ACHETEURS, DANS LES LIMITES DU RAISONNABLE, POUR LA CONSTITUTION DE RÉCLAMATIONS RELATIVES AU NON RESPECT DE CES GARANTIES.

## GARANTÍA

Titan Tool, Inc., ("Titan") garantiza que al momento de la entrega al comprador original para su uso ("Usuario Final") el equipo que se encuentra bajo la cobertura de esta garantía no presentará defectos de materiales ni de mano de obra. A excepción de cualquier garantía especial, limitada o extendida publicada por Titan, la obligación de Titan según esta garantía se limita el reemplazo o la reparación sin cargo de las piezas, las que según el criterio de Titan se presenten como defectuosas dentro de doce (12) meses después de la venta al Usuario Final. Esta garantía es aplicable sólo cuando la unidad se instala y se hace funcionar de acuerdo con las recomendaciones e instrucciones de Titan.

Esta garantía no se aplica en caso de daño o desgaste provocado por abrasión, corrosión, uso indebido, negligencia, accidente, instalación defectuosa, sustitución de piezas de componentes que no pertenezcan a Titan o la alteración de la unidad de alguna manera que impida su funcionamiento normal.

Las piezas defectuosas se deben devolver a una tienda de ventas/servicio técnico autorizada de Titan. Todos los cargos de transporte, incluido el regreso a la fábrica de ser necesario, deben ser costeados y pagados por adelantado por el Usuario Final. El equipo que se repare o reemplace se devolverá al Usuario Final con los gastos de envío pagados por adelantado.

NO EXISTE OTRA GARANTÍA EXPRESA. POR ESTE MEDIO TITAN NIEGA TODAS LAS GARANTÍAS IMPLÍCITAS, ENTRE LAS QUE SE INCLUYEN, AQUELLAS DE COMERCIABILIDAD Y APTITUD PARA UN FIN EN PARTICULAR DENTRO DE LO QUE PERMITA LA LEY. LA DURACIÓN DE CUALQUIER GARANTÍA IMPLÍCITA QUE NO SE PUEDA NEGAR SE LIMITA AL PERÍODO QUE SE ESPECIFIQUE EN LA GARANTÍA EXPRESA. LA RESPONSABILIDAD DE TITAN NO EXCEDERÁ EN NINGÚN CASO EL VALOR DE LA COMPRA. LA RESPONSABILIDAD POR DAÑOS ESPECIALES, INDIRECTOS O EMERGENTES SEGÚN CUALQUIERA Y TODAS LAS GARANTÍAS ESTÁ EXCLUIDA DENTRO DE LO QUE PERMITA LA LEY.

TITAN NO REALIZA NINGUNA GARANTÍA Y NIEGA TODAS LAS GARANTÍAS IMPLÍCITAS DE COMERCIABILIDAD Y APTITUD PARA UN FIN EN PARTICULAR EN RELACIÓN CON ACCESORIOS, EQUIPOS, MATERIALES O COMPONENTES QUE VENDA, PERO QUE NO FABRIQUE TITAN. ESTOS ARTÍCULOS QUE VENDA, PERO QUE NO FABRIQUE TITAN (TALES COMO MOTORES DE GAS, INTERRUPTORES, MANGUERAS, ETC.) ESTÁN SUJETOS A LA GARANTÍA, DE EXISTIR ALGUNA, DE SU FABRICANTE. TITAN PROPORCIONARÁ UNA ASISTENCIA RAZONABLE AL COMPRADOR PARA REALIZAR CUALQUIER RECLAMACIÓN POR EL INCUMPLIMIENTO DE ESTAS GARANTÍAS.

### EU DECLARATION OF CONFORMITY

We declare under sole responsibility that this product conforms to the following relevant stipulations:

2006/42/EC, 2011/65/EU

Applied harmonised norms:

EN ISO 12100:2010, EN 1953:2013

The EU declaration of conformity is enclosed with the product. If required, it can be re-ordered using order number **2427321**.

### DÉCLARATION DE CONFORMITÉ UE

Nous déclarons sous notre responsabilité que ce produit est en conformité avec les réglementations suivantes:

2006/42/CE, 2011/65/UE

Conforme aux normes et documents normalisés:

EN ISO 12100:2010, EN 1953:2013

La déclaration de conformité UE est jointe à ce produit. Elle peut être commandée au besoin sous le numéro de commande **2427321**.

### DECLARACIÓN UE DE CONFORMIDAD

Mediante la presente garantizamos, bajo nuestra exclusiva responsabilidad, que este producto cumple con las correspondientes disposiciones:

2006/42/CE, 2011/65/UE

Normas armonizadas aplicadas:

EN ISO 12100:2010, EN 1953:2013

El producto viene acompañado de la declaración UE de conformidad. Si lo necesita, puede pedirla adicionalmente por el número de pedido **2427321**.



**TITAN<sup>®</sup>**

**HYDRA X<sup>™</sup>**

**4540**

**7230**

**UNITED STATES SALES & SERVICE**

**WEB:** [www.titantool.com](http://www.titantool.com)

**PHONE:** 1-800-526-5362

1770 Fernbrook Lane

Minneapolis, MN 55447

**INTERNATIONAL**

**WEB:** [www.titantool-international.com](http://www.titantool-international.com)